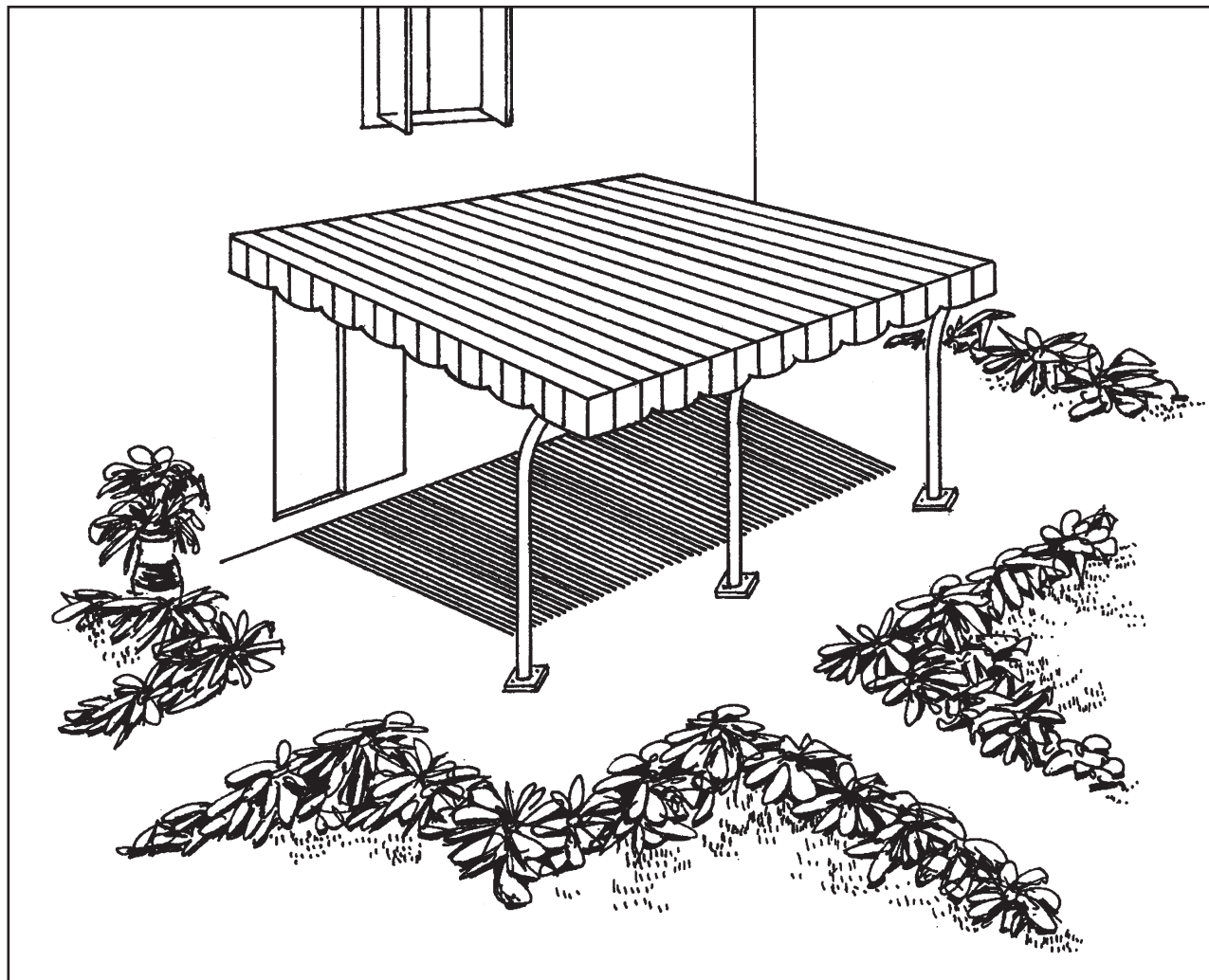


Installation Instructions

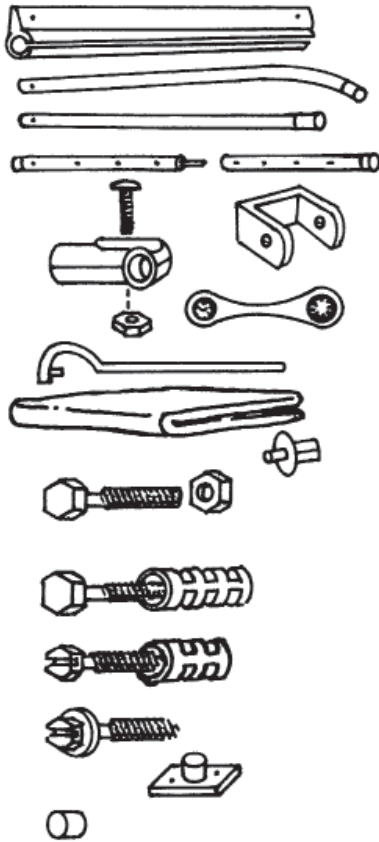
Fiesta® Patio Canopy



Please read all assembly / installation instructions before the installation or removal of this product.



7701 Highway 41 N
Evansville, IN 47725
Phone: 812-867-2421
Fax: 812-867-1429
1-800-544-4445
email: tents@anchorinc.com
www.anchorinc.com



PARTS	QTY. PER FRAME WIDTH						
	10'-0"	12'-6"	15'-0"	17'-6"	20'-0"	22'-6"	25'-0"
CHANNEL RAIL	1	2	2	2	2	3	3
UPRIGHT	2	2	3	3	3	3	3
RAFTER	5	6	6	7	8	9	10
FRONT BAR W/CAPS	1	1	2	2	2	2	2
FPB HINGE CASTING	5	6	6	7	8	9	10
PTN CASTING W/BOLT & NUT	7	8	9	10	11	12	13
RATCHET WRENCH	1	1	1	1	1	1	1
FRONT BAR WRENCH	1	1	1	1	1	1	1
FABRIC CANOPY	1	1	1	1	1	1	1
1/4"x3/16" DRIVE RIVET	-	-	2	2	2	2	2
5/16"x2 3/4" BOLT & NUT	5	6	6	7	8	9	10
1/4"x2" LAG BOLT W/SHIELD	TO WOOD	4	4	6	6	6	6
	TO BRICK	9	10	12	13	14	15
#10 - 1 1/4" SHT MIL SCREW W/SHIELD	TO WOOD	21	26	29	33	38	43
	TO BRICK	11	14	17	19	22	25
#10-1" SHT MTL SCREW	2	2	3	3	3	3	3
BASE PLATE	2	2	3	3	3	3	3
WHITE CAP	7	8	9	10	11	12	13

TOOLS REQUIRED

6' Stepladder
 Drill with drill bits
 Screw Driver
 Level
 F.B. Wrench (provided)
 Ratchet Wrench (provided)

HELPFUL HINTS

The Sunbrella® fabric will give many years of service with minimal care. **DO NOT** leave fabric cover on frame in winter months due to snow accumulation.

If fabric becomes very dirty or soiled, see recommendations for proper cleaning.

Check fabric occasionally and retighten if required.

Cleaning of Sunbrella®

One of the best ways to keep Sunbrella® fabrics looking good and to delay deep or vigorous cleanings is to properly maintain the fabric. This can be accomplished by simply brushing off dirt before it becomes embedded in the fabrics, wiping up spills as soon as they occur or spot cleaning soon after stains occur.

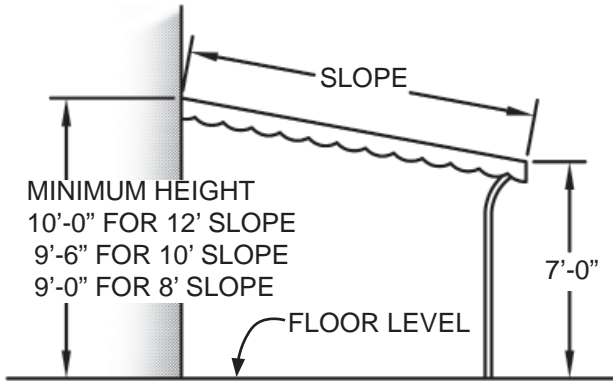
Complete details about the proper care and cleaning can be found on line at the sunbrella website. A pdf file may be downloaded at: http://www.sunbrella.com/en_us/pdf/cleaning-sunbrella-awning-fabric.pdf

UNDER NO CIRCUMSTANCES ARE THESE FABRICS TO BE RUN THROUGH A HOT DRYING CYCLE OF A DRYER.

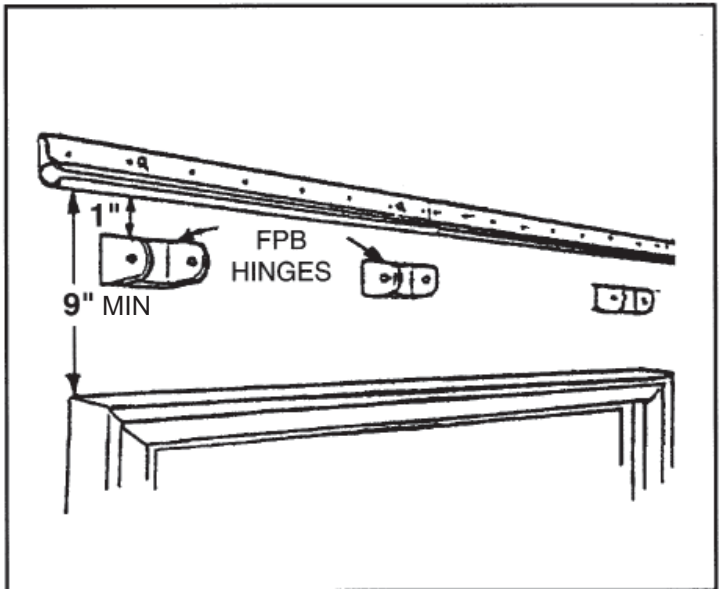
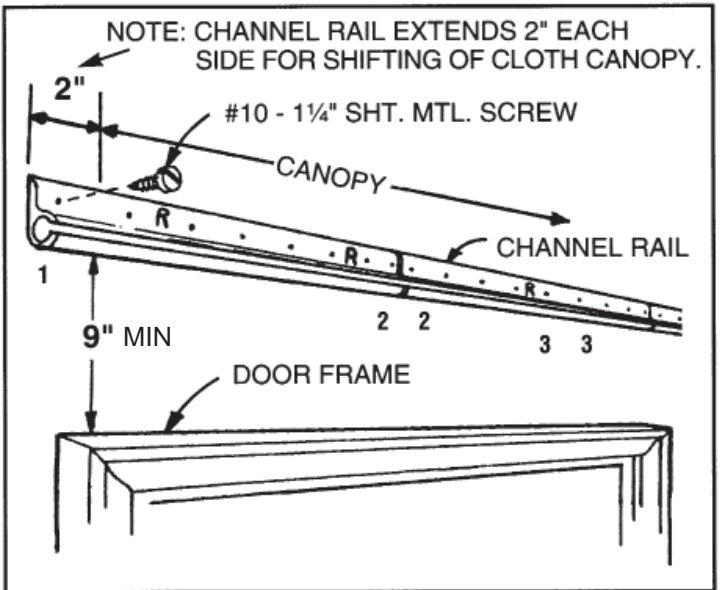
UNDER NO CIRCUMSTANCES ARE THESE FABRICS TO BE STEAM PRESSED AT DRY CLEANERS.

1**ATTACH CHANNEL RAIL**

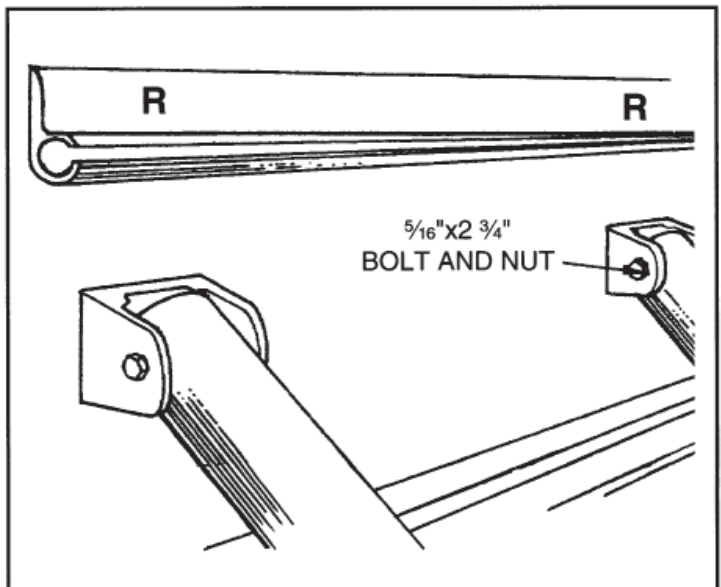
Mark level line on wall where canopy will be attached. Install channel rail in sequence per illustration. (Minimum height from floor level see below, at least 9" above doors or windows). If applied to masonry, use plastic shields (not furnished) with #10-1/4" sht mtl. screws.

**2****ATTACH FPB HINGES**

Install FPB hinges 1" below channel rail at "R" marking indicated on channel rail. Use two #10 - 1/4" sht. mtl. screws to wood and aluminum or one 1/4"x2" lag bolt and shield to masonry.

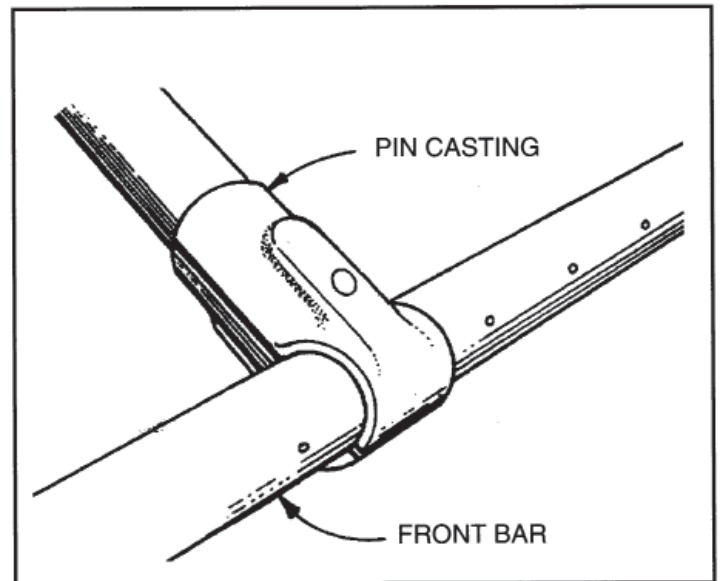
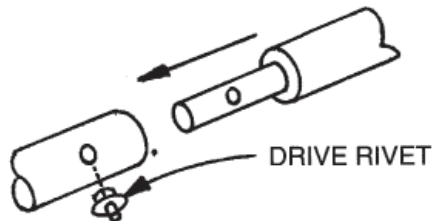
**3****CONNECT RAFTERS**

Install all rafters to FPB hinges with bolt and nut.

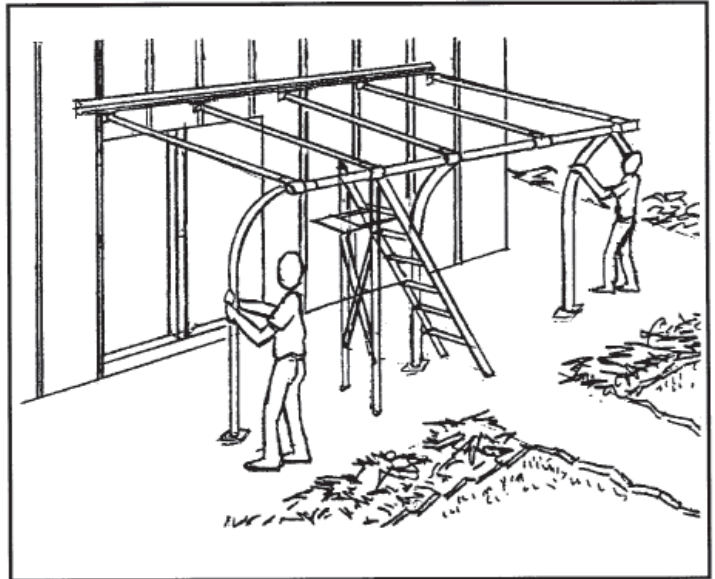


4**CONNECT FRONT BAR**

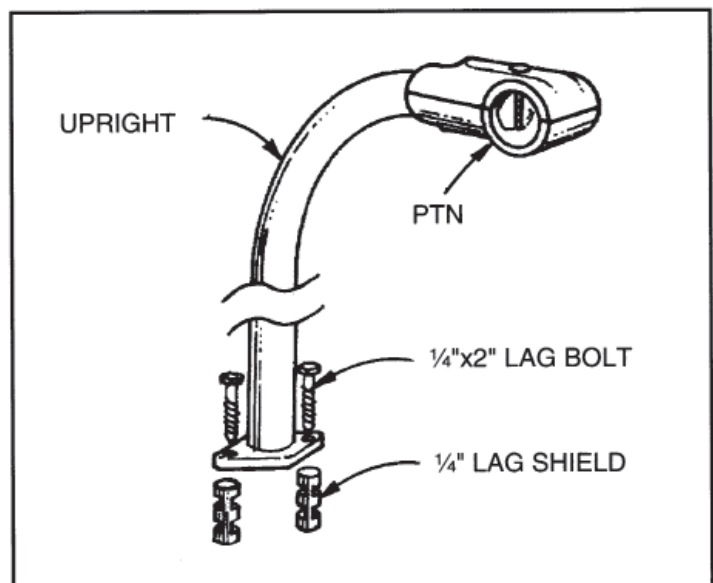
Using PTN casting, attach front of rafters to front bar. Front bar holes should be positioned on top of bar. Ridge in PTN should align with groove in rafter. Bar should rotate freely. Do not clamp over holes in front bar. (If canopy width is in excess of 15', splice front bars together and secure drive rivets in holes provided).

**5****LOCATE UPRIGHTS**

Raise front bar using support of ladder. Install uprights using PTN castings. Corner uprights are to be positioned inside end rafters and within 1' - 0" from ends. Again, front bar should rotate freely.

**6****SECURE UPRIGHTS**

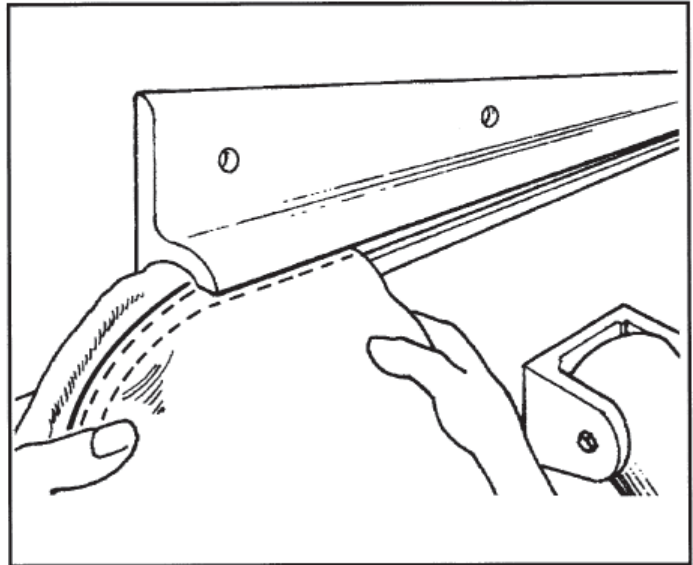
Install base plate with #10 - 1" sht mtl. screw. Position uprights into vertical position with level. Mark and drill patio for shields or bolts. Use pilot hole for wood deck. Drill $\frac{3}{16}$ " x $1\frac{3}{4}$ " holes for shields.



7**INSTALL FABRIC**

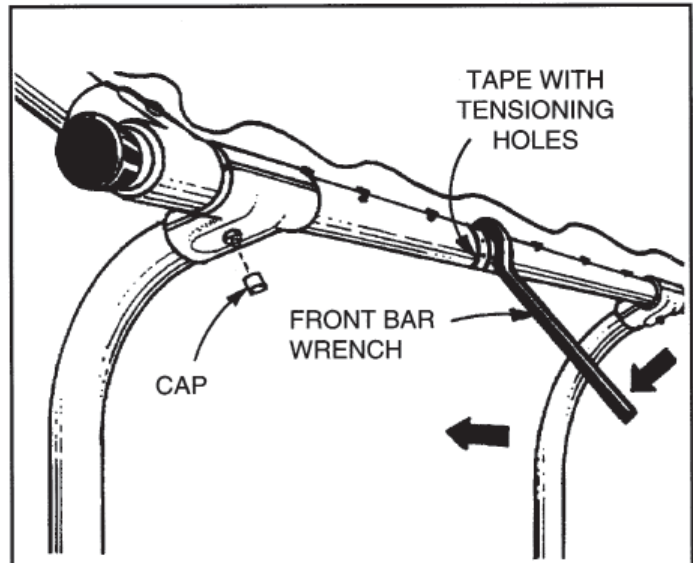
Insert beaded edge at top of canopy fabric through channel rail. Spread over rafters and pull fabric to other end.

Remove end rafters from frame and insert through pockets at each end of canopy. Reconnect rafters to frame.

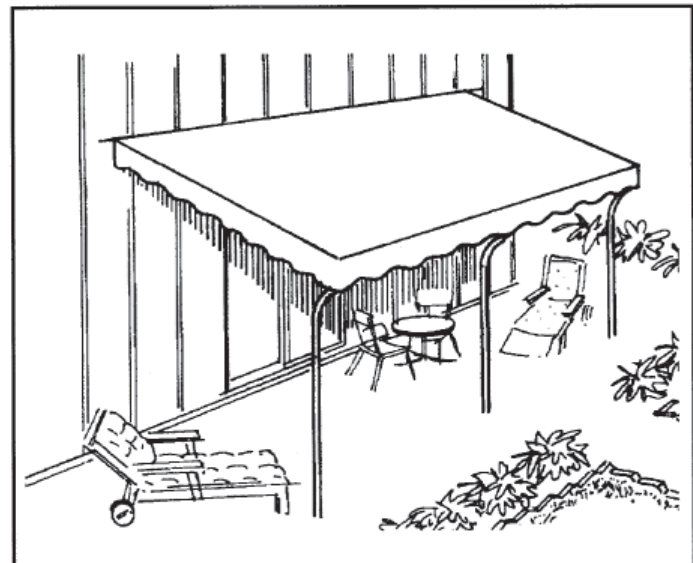
**8****TENSION FABRIC**

Insert all canopy hooks into holes of front bar and turn front bar with front bar wrench provided to tension.

NOTE: Front bar wrench holes are not on same line as canopy hook holes. (Rotate front bar until all canopy sags and wrinkles are removed). While firmly tensioning canopy, tighten nearest PTN bolt using ratchet wrench that is provided.

**9****SECURE CASTINGS**

Tighten all other PTN castings to hold front bar and uprights in position. Make sure the raised ridge inside casting fits into grooves in uprights & rafters. Your canopy is now installed, check all fittings and screws to be sure they are properly tightened. Attached white caps to ends of PTN bolts.





PHONE NUMBER
812- 867- 2421

TOLL FREE
800- 255- 5552

FAX NUMBER
812- 867- 1429

Anchor products are of superior design and operate best within the parameters of these instructions. It is imperative that the instructions be carefully read and **COMPLETELY FOLLOWED**. Please read installation instructions before the installation or removal of this product. Installation instructions are available online at www.anchorinc.com or by calling 1-800-255-5552.

CAUTION:

1. For each installation, the installer is solely responsible for evaluating the site and the proper securing method determined. Anchor's responsibility is limited to the manufacture of the fabric and frame parts and materials. We are not responsible for methods that installers may choose to erect and secure the structure.
2. The mounting method suggested in the installation instructions does not necessarily meet all or any relevant codes on the site of the installation. The method suggested **will, in many cases, keep the structure erected**, however, due to various soil conditions; this method may be insufficient **to keep the structure secure in high winds**. It is the installer's responsibility, not the manufacturer, to determine the appropriate method of securing the structure to meet the necessary wind loads on the site. Regardless of the mounting method we suggest, we make no representation or warranty as to whether the mounting method suggested will meet the local code. Anchor does not, nor can it make any suggestions, representation, or warranties about the adequate mounting required at each specific installation site.
3. Inasmuch as the weather is unpredictable, good judgment and common sense must be incorporated within installation guidelines. It is the responsibility of the installer/maintainer to determine the severity of the weather, proper time and method of installation and/or erection and disassembly.

This product has been manufactured for use as a sunshade structure. For the safety of all occupants, evacuation is recommended if threatening weather occurs, or if there is any doubt concerning the safe use of this product.

4. Proper safety equipment should be used at all times to insure a safe installation. We suggest a careful evaluation be made to determine safety equipment needed, such as hard hats, steel-toe shoes, safety glasses and other as required. It is our desire that all installations are safe. Please be aware of hidden dangers both underground, i.e., gas lines, water lines, electrical lines, etc. and above the structure such as power lines and telephone lines.