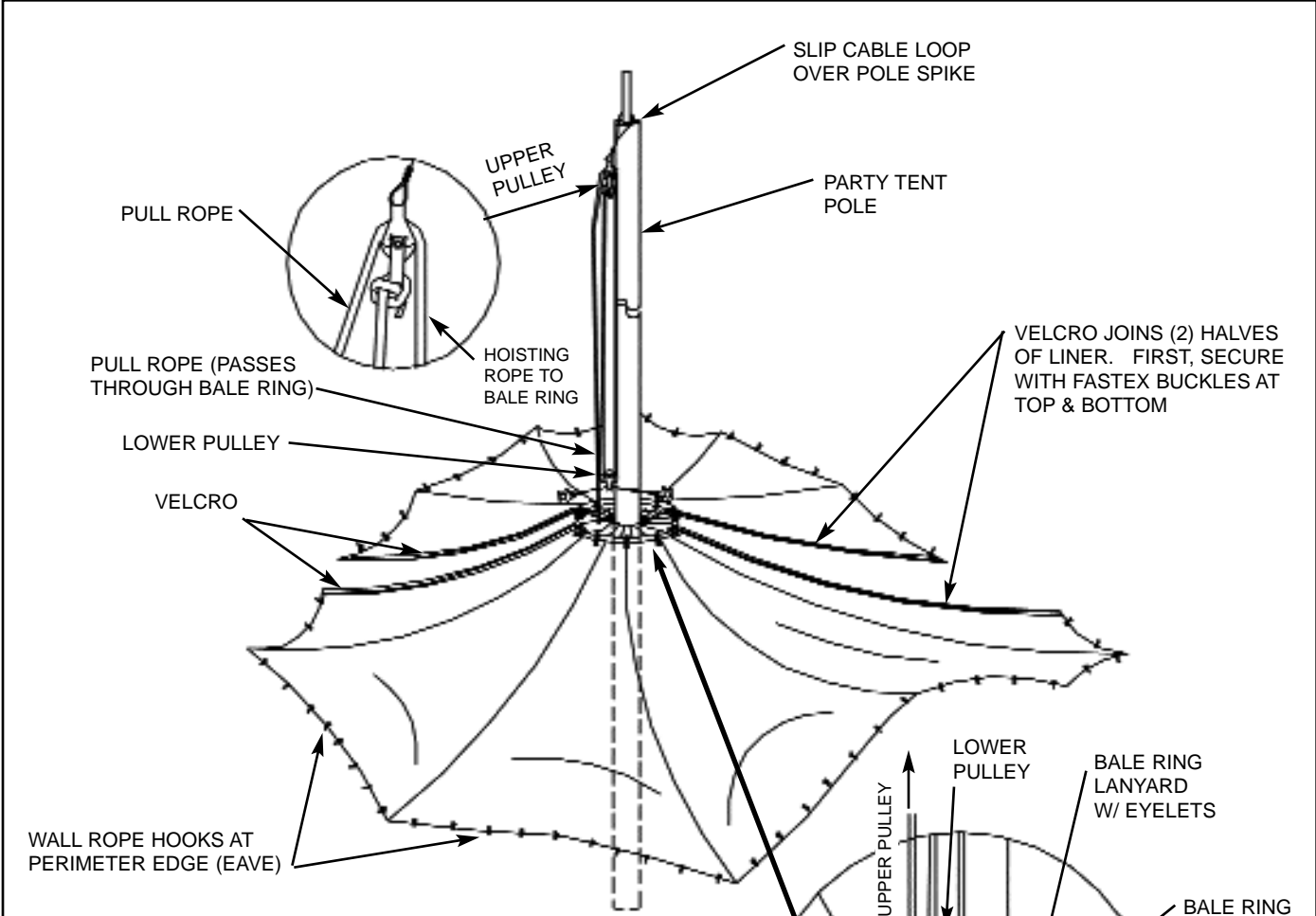
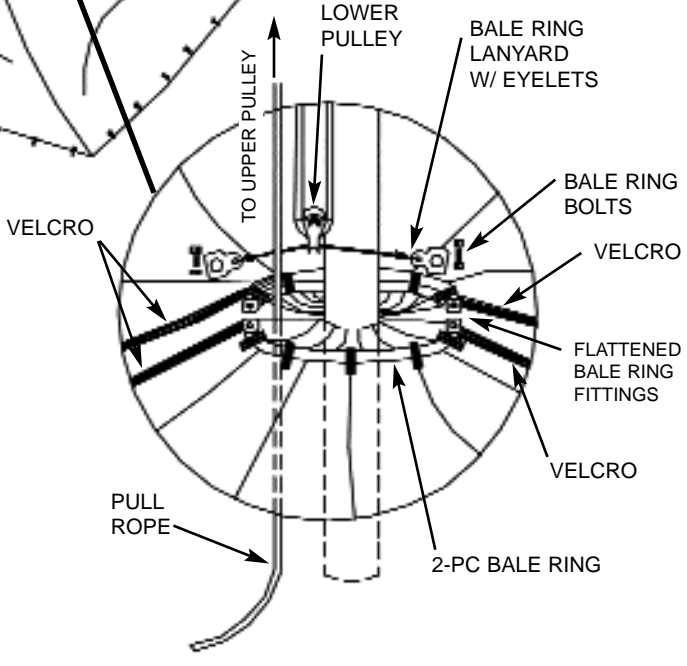




**INSTALLATION INSTRUCTIONS**  
11-23-02



- INSTALLATION SEQUENCE:**
1. During tent installation, before standing the center pole, pass the cable loop of the top pulley over the spike at the top of the center pole.
  2. Lower the bottom pulley (w/ lanyard) to a convenient working height.
  3. Pass each half of the bale ring through the loops at the peak circles of each half of the liner.
  4. Bolt the two halves of the bale ring together, capturing the eyelets of the bale ring lanyard with the same bolt. Be sure the pull rope passes through the bale ring.
  5. Join the two halves of the liner by connecting the FASTEX buckles at the top and bottoms of the velcroed edges.
  6. Seal the velcro strips to join the two halves of the liner continuously.
  7. Using the pull rope, raise the liner approximately 2/3 of the way to the peak.
  8. Attach the perimeter hooks to the wall rope at the eave line of the tent.
  9. Hoist the Liner to within approximately 1 to 1-1/2 feet of the peak.





Thank you for purchasing an Anchor product. In return, we pledge Quality, Service and Craftsmanship and are available for any questions you may have or assistance you may need.

## **PHONE NUMBER**

812-867-2421

## **FAX NUMBER**

812-867-0547

Anchor products are of superior design and operate best within the parameters of these instructions. It is **IMPERATIVE** that the instructions be carefully read and **COMPLETELY FOLLOWED**. Please read installation instructions before the installation or removal of this product. Installation instructions are available at [www.anchorinc.com](http://www.anchorinc.com).

For additional assistance consult: "The IFAI Procedural Handbook For The Safe Installation And Maintenance Of Tentage" and the IFAI "Pullout Capacity Of Tent Stakes", both available from the IFAI Tent Rental Division.

### **CAUTION:**

1. For each installation, the installer is solely responsible for evaluating the site and the proper securing method determined. Some soils require different staking or securing than that provided with the tent. Due to this variety of soil conditions, these are the manufacturer's suggested sequence of installation procedures. Anchor's responsibility is limited to the construction of the tent. We are not responsible for methods that installers may choose to secure the tent to the ground.
2. Inasmuch as the weather is unpredictable, good judgment and common sense must be incorporated within installation guidelines. It is the responsibility of the tent installer/maintainer to determine the severity of the weather, proper time and method of installation and/or erection and disassembly.

This product has been manufactured for use as a temporary structure. For the safety of all occupants, evacuation is recommended if threatening weather occurs, or if there is any doubt concerning the safe use of this product.

3. Proper safety equipment should be used at all times to insure a safe installation and take down. We suggest a careful evaluation be made to determine safety equipment needed, such as hard hats, steel-toe shoes, safety glasses and other as required.
4. Anchor stands behind its products in accordance with its standard Terms and Conditions of sale. A copy of our Terms and Conditions of Sale can be obtained by contacting Anchor at the telephone number and/or address on this document.