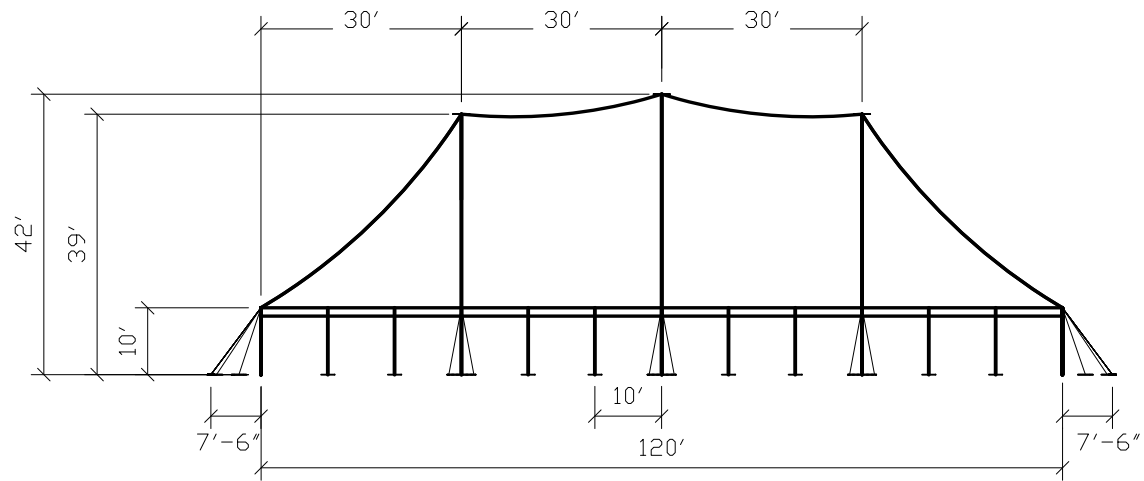
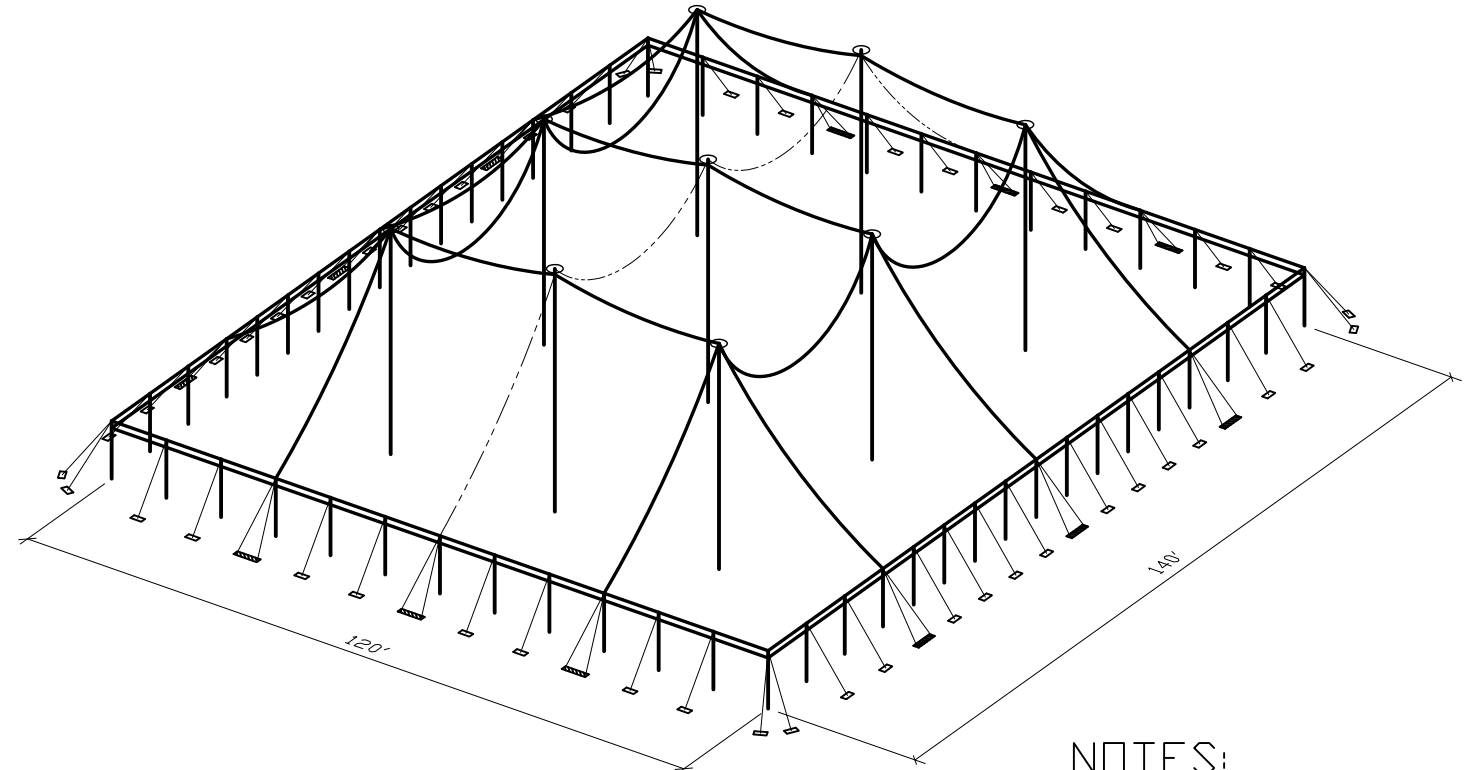


PLAN



END ELEVATION

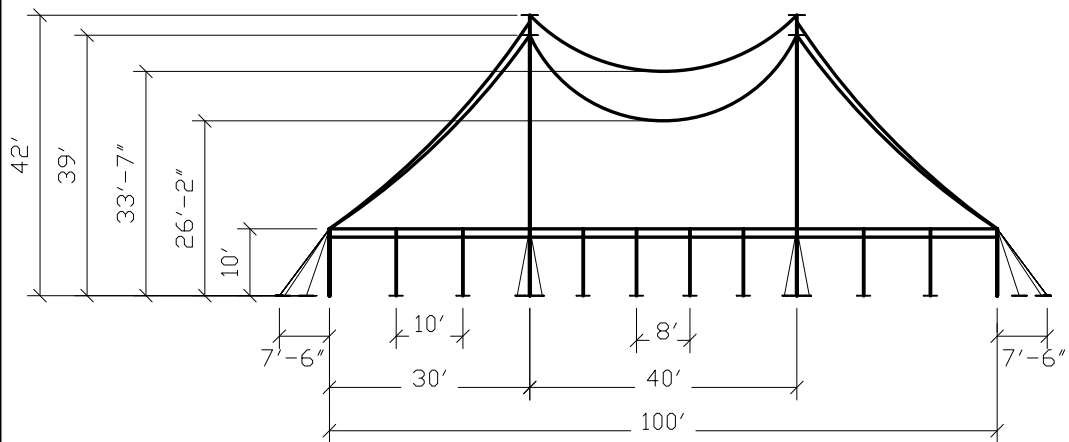


ISOMETRIC

NOTES:

1. GUY WEBS THROUGHOUT.
2. 10'-0" EAVE HEIGHT SHOWN.
3. REF. A1-120 REV. 1-20-06.

NON-STANDARD STAKING.



SIDE ELEVATION

REVISIONS		
EC/PR NO	DATE	BY
1	5-10-11	DMK

ANCHOR INDUSTRIES INC.		
BROCHURE DRAWING 120' CENTURY TENT WITH 40' MIDS		
DRAWN BY: DMK	CHECKED BY:	DRAWING NO.
APPROVED BY:	EC/PR NO.	DATE: 08-18-06
		06-253-3-9