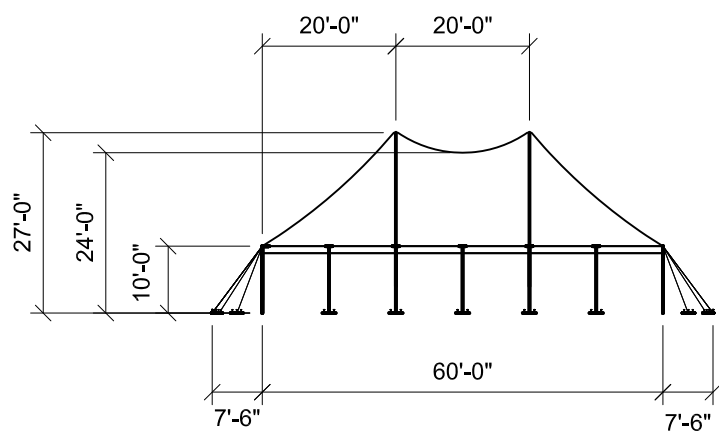
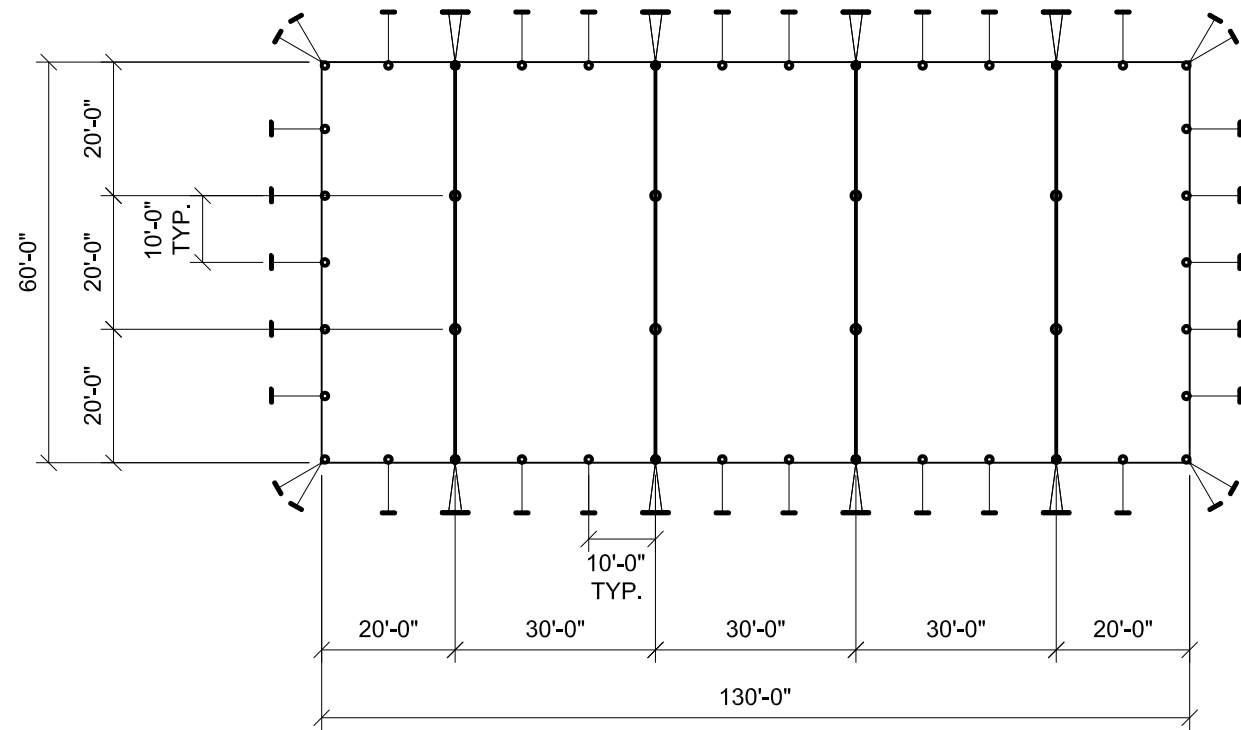


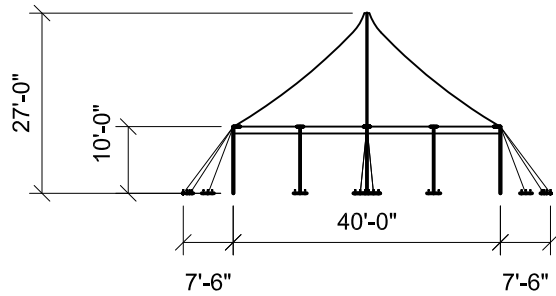
PLAN



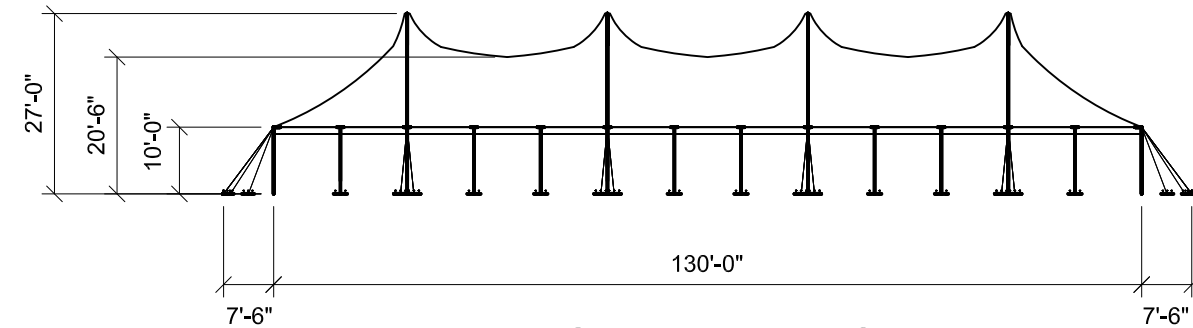
END ELEVATION



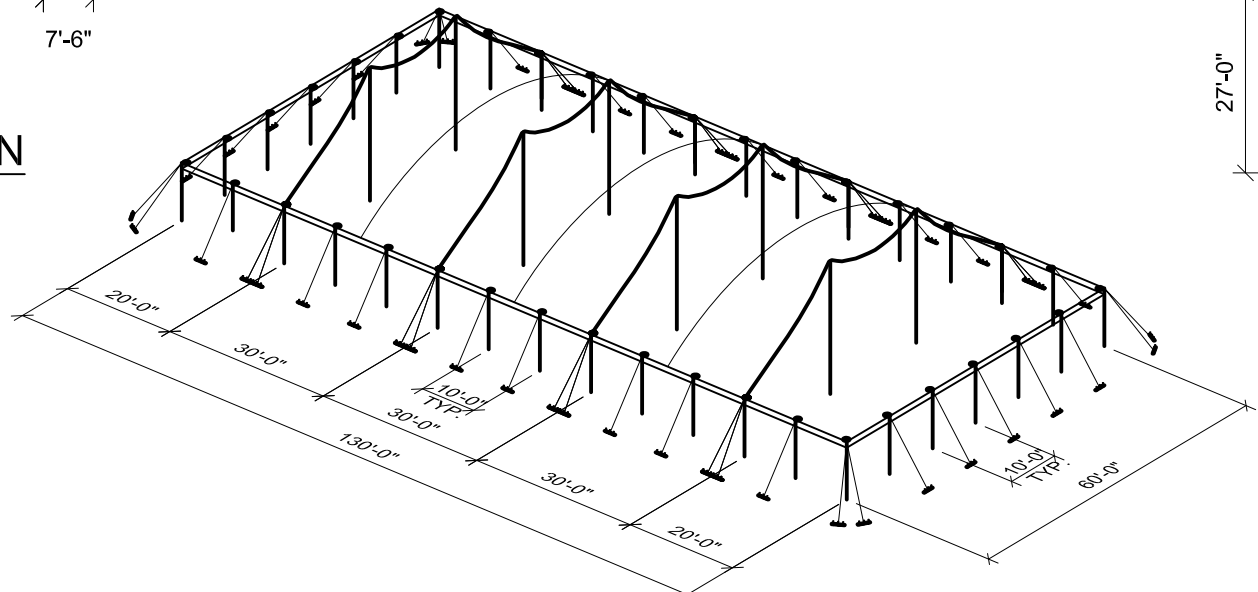
PLAN



SIDE ELEVATION



SIDE ELEVATION



ISOMETRIC

NOTES:

1. GUY WEBS THROUGHOUT.
2. 10'-0" SIDE POLE SPACING.
3. 10'-0" EAVE HEIGHT SHOWN.
4. REF. B2-60M REV. 7-31-06.
5. NON-STANDARD STAKING SHOWN.
6. SEE THE I.F.A.I. STAKING GUIDE ON OUR WEBSITE (WWW.ANCHORINC.COM) FOR SOIL IDENTIFICATION & PULL-OUT CAPACITY OF STAKES.

REVISIONS			ANCHOR INDUSTRIES INC.		
EC/PR NO.	DATE	BY	BROCHURE DRAWING 60' CENTURY TENT WITH 30' MIDS		
1	05-10-11	DMK			
2	09-07-11	DMK	DRAWING NO.		
DRAWN BY: DMK			CHECKED BY:		06-253-3-5
APPROVED BY:			EC/PR NO.	DATE: 08-18-06	