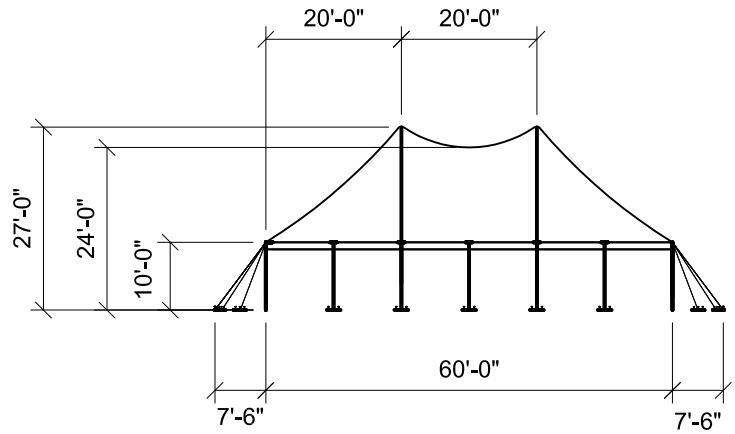
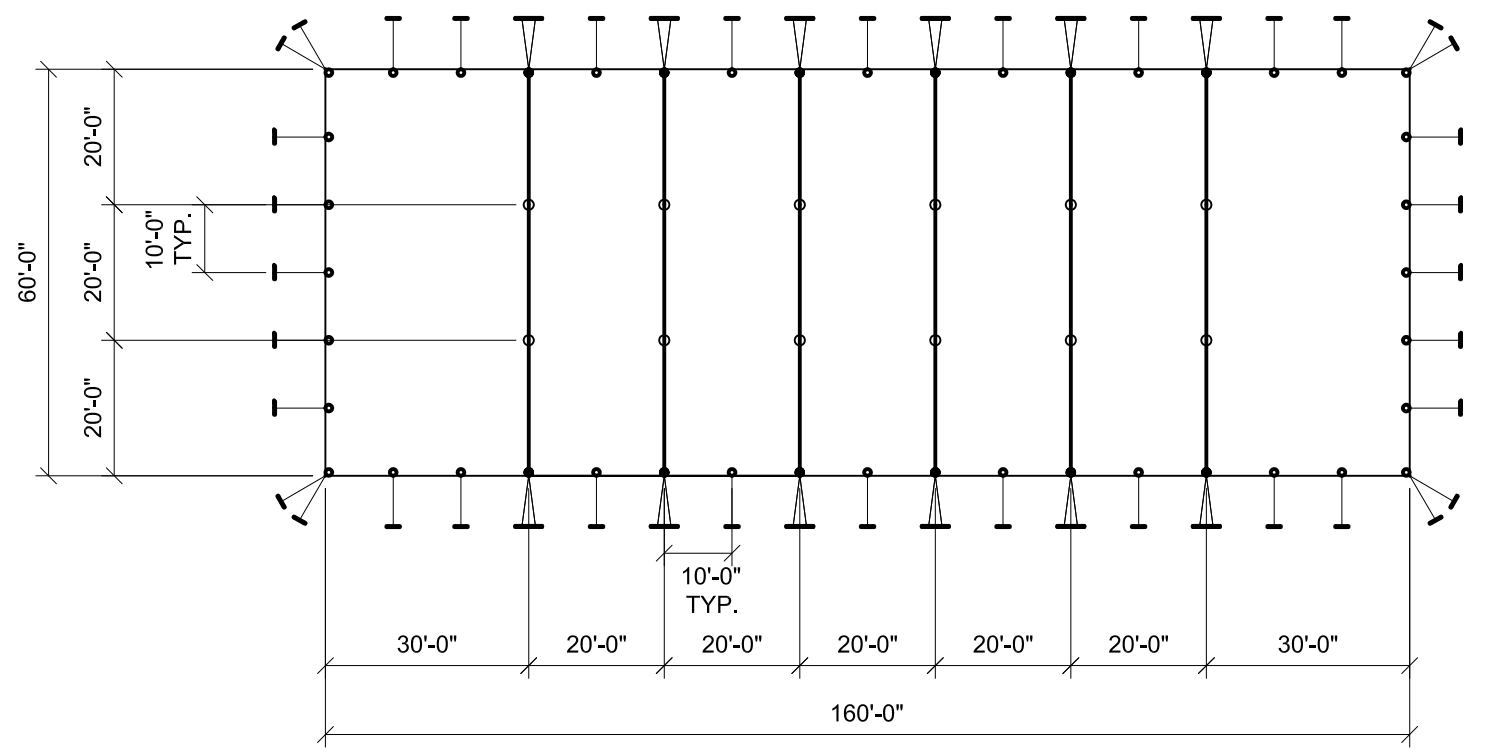


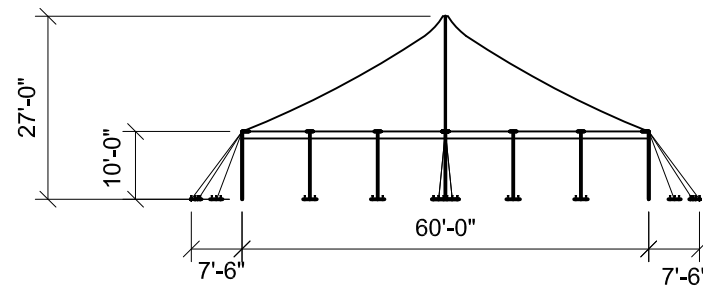
PLAN



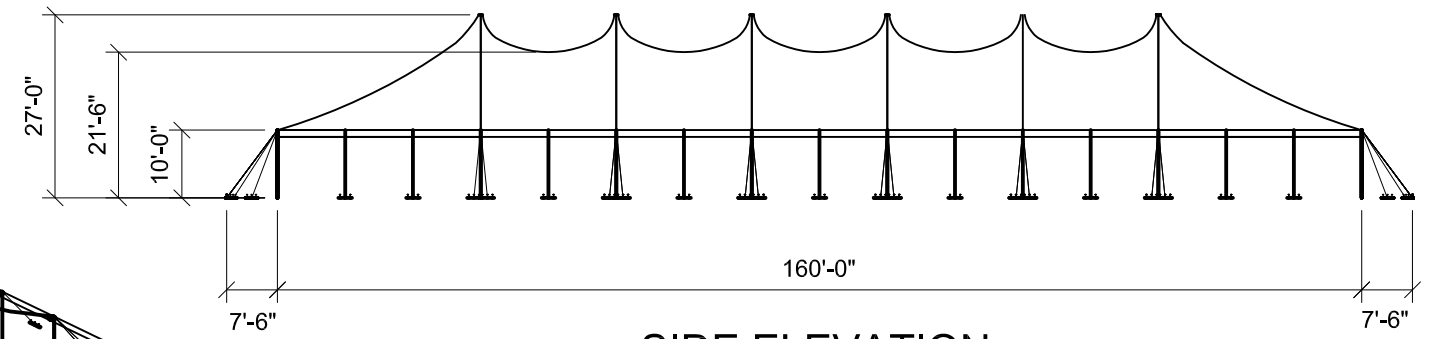
END ELEVATION



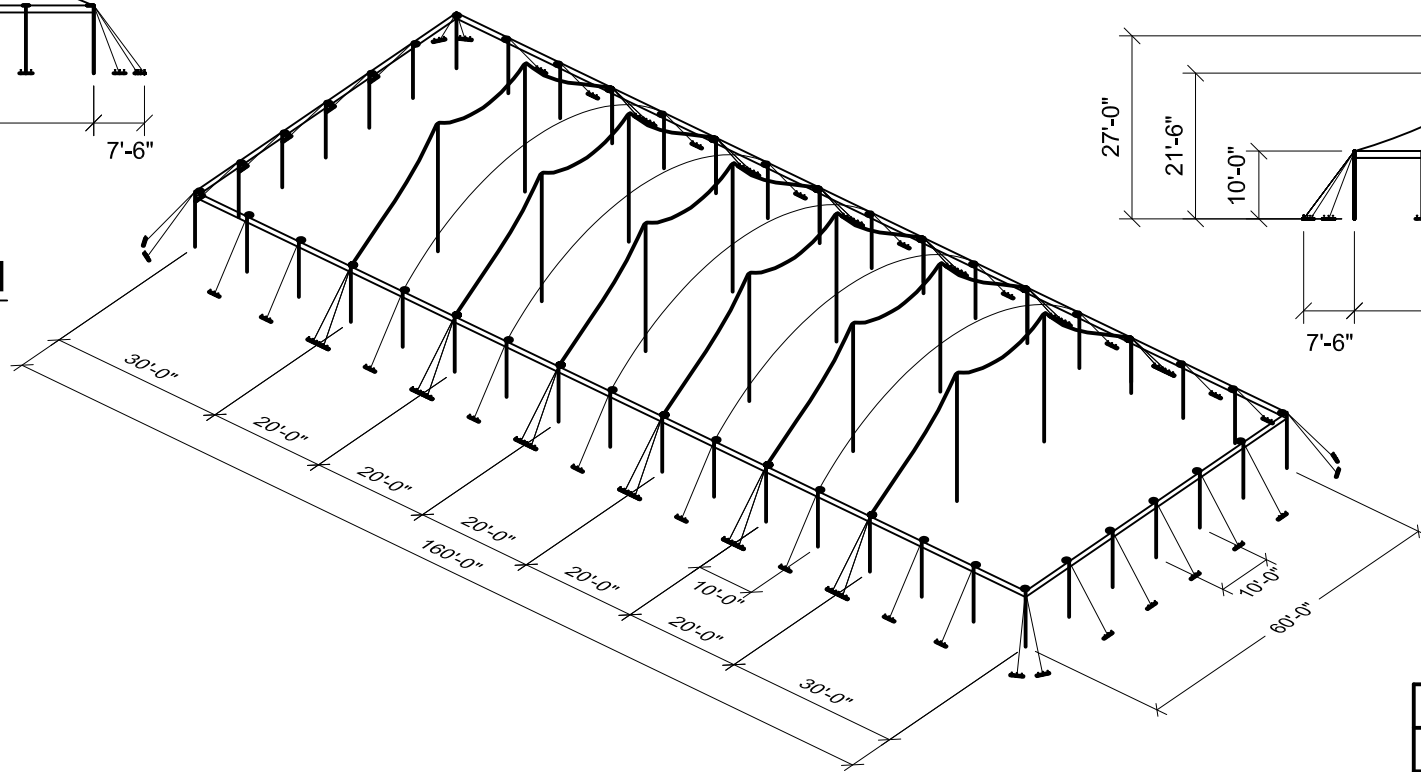
PLAN



SIDE ELEVATION



SIDE ELEVATION



ISOMETRIC

NOTES:

1. GUY WEBS THROUGHOUT.
2. 10'-0" SIDE POLE SPACING.
3. 10'-0" EAVE HEIGHT SHOWN.
4. REF. B2-60-4M REV. 8-30-10.
5. NON-STANDARD STAKING SHOWN.
6. SEE THE I.F.A.I. STAKING GUIDE ON OUR WEBSITE (WWW.ANCHORINC.COM) FOR SOIL IDENTIFICATION & PULL-OUT CAPACITY OF STAKES.

REVISIONS		
EC/PR NO.	DATE	BY

ANCHOR INDUSTRIES INC.		
BROCHURE DRAWING		
60' CENTURY TENT WITH 30' ENDS & 20' MIDS		
DRAWN BY: DMK	CHECKED BY:	DRAWING NO.
APPROVED BY:	EC/PR NO.	DATE: 02-02-12
		06-253-3-4-1