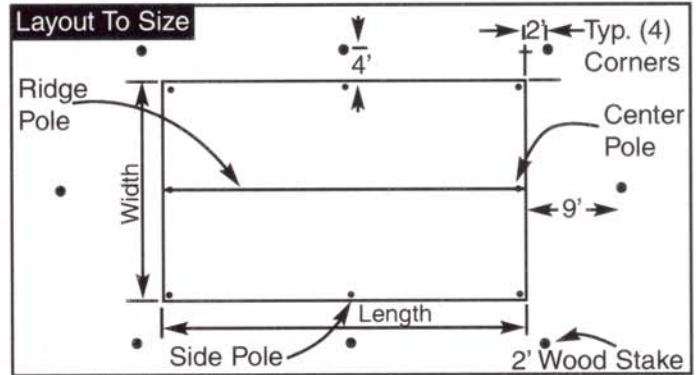
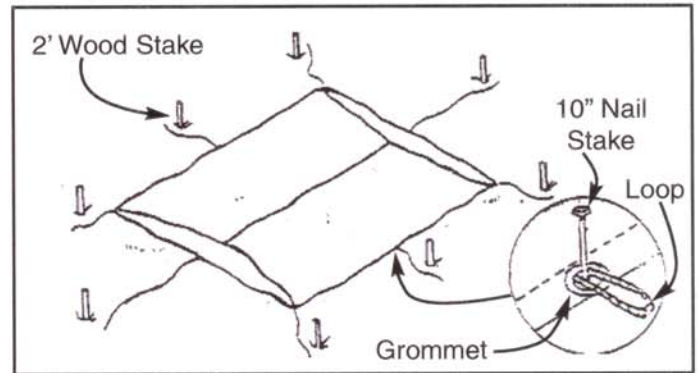


UNIVERSAL WALL TENT

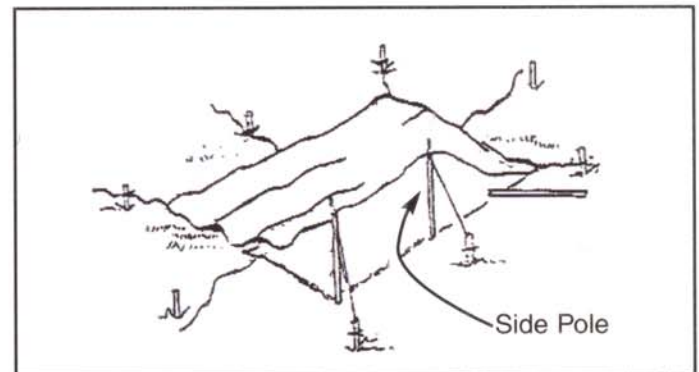
Assembly Instructions



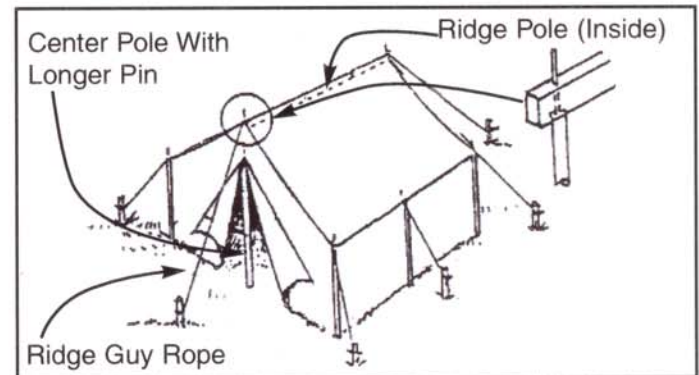
1 Spread tent out on ground and stake perimeter with 10" nail stakes through loops and grommets. Be sure tent is completely spread out and ridge is on top. Drive wood stakes into ground. See layout above for locations.



2 Loosely tie side guy ropes to stakes. Insert pole pins into grommets at side eaves and position base of pole in loop.



3 Assemble ridge pole and position inside of tent. With one installer at each center pole location, raise ridge pole. Insert center poles with longer pins through ridge pole and tent grommet at each end of ridge. Intermediate center poles (when required) have shorter pins. Tie off both ridge guy ropes. Tighten side guy ropes to secure. Check and tighten guy ropes periodically.



Quality, Craftsmanship & Service Since 1892
 1100 Burch Dr., Evansville, IN 47725
 Ph. 812-867-2421 • Fx. 812-867-0547
www.anchorinc.com

UWT0602