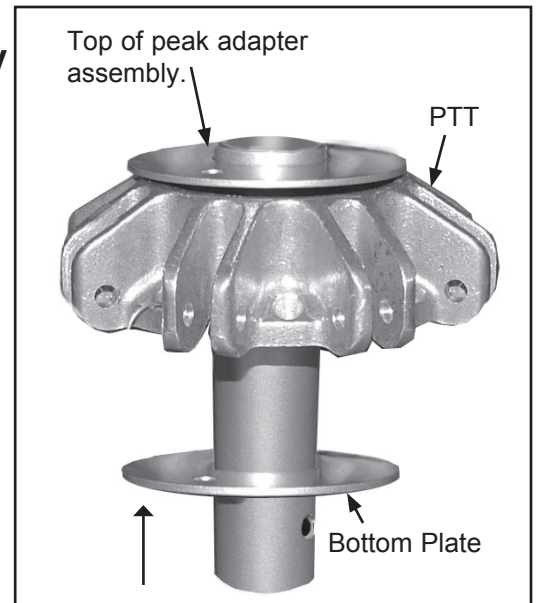


Fiesta® High Peak Instructions - **Supplement to Standard Fiesta Installation Instructions**

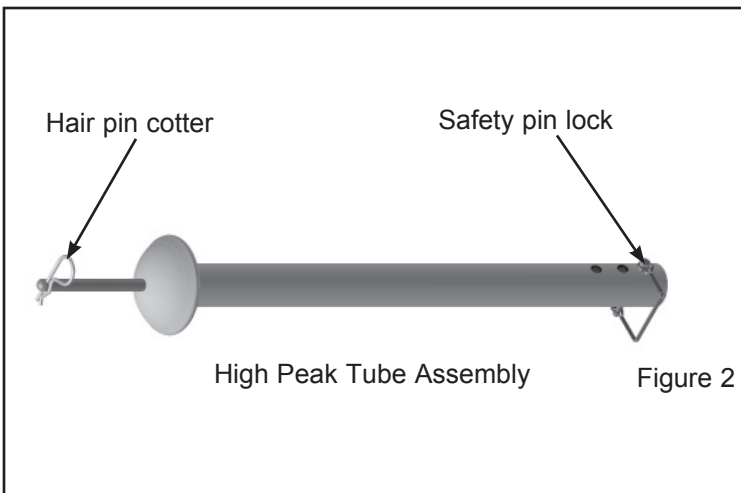


Step 1 - Installing Fiesta High Peak Adapter Assembly

High peak casting adapter assembly must be attached to PTT peak casting prior to assembling PTT to frame. Slide top of peak casting assembly down into top of PTT. Slide bottom plate up to bottom of PTT. Align holes in plates and insert the 3/8" x 3" bolts provided. Fasten with nuts.



Step 2 - Installing Fiesta High Peak Tube Assembly



Step 2 - Installing Fiesta High Peak Tube Assembly cont'd

High peak tube assembly must be installed after spreading fabric loosely over frame and before raising frame for assembly of uprights, Push the top pin of the high peak tube assembly through the grommet at the peak of the tent fabric. **(Figure 2a)** Raise the high peak tube assembly up until the bottom is above the peak weldment. Slide the high peak tube assembly down through the top of the peak weldment. Let it rest there on the peak weldment.

Now you may place the streamer on the top pin and insert the hair pin cotter to keep the streamer and fabric top in place. **(Figure 2b)**

Now retrieve the safety pin lock, push the high peak tube assembly up into position by aligning the holes of the peak weldment with the top hole in the high peak tube. (other holes are for adjustment as required.) Push the pin lock through the holes and lock into place. **(Figure 2c)**

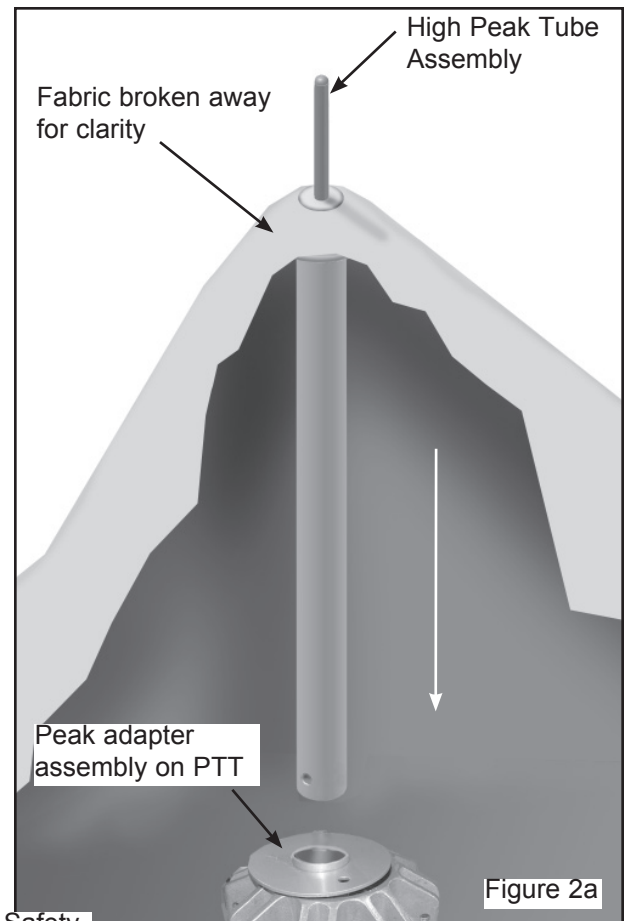


Figure 2a

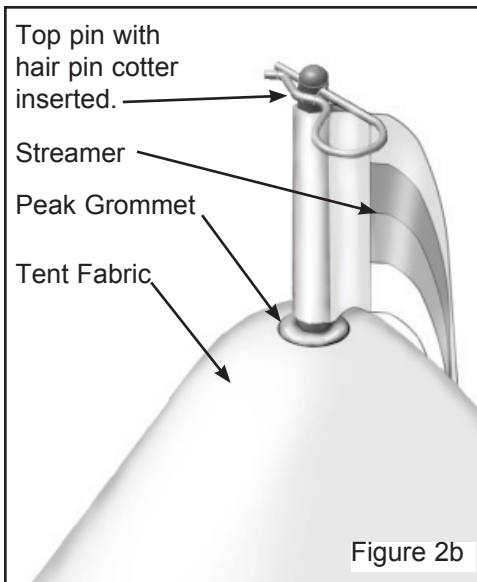


Figure 2b

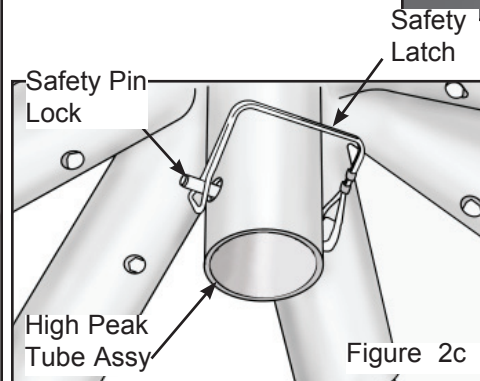


Figure 2c

Caution: The Safety Pin Lock with safety latch engaged as shown above (Figure 2c) must be used at the bottom of the high peak tube assembly.

Step 3 - Installing Upright Tension Connector

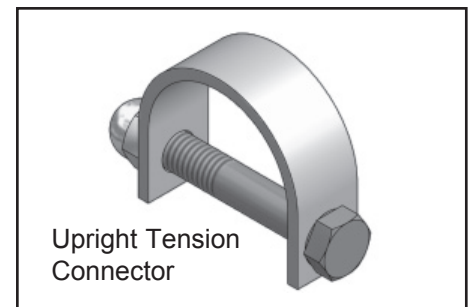
Before installing uprights, upright tension connector must be attached to uprights.

Remove existing bolt at bottom of upright and set aside.

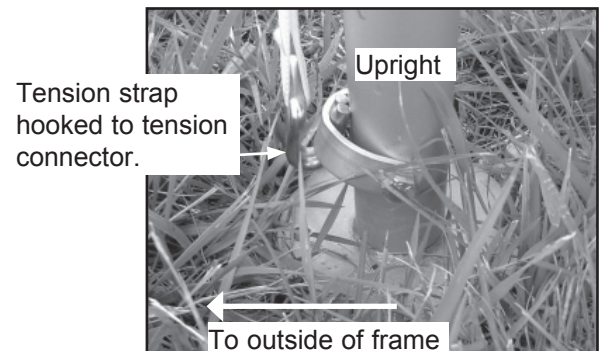
Remove bolt and cap nut from upright tension connector.

Align holes in upright tension connector with holes at bottom of upright and attach with the bolt and cap nut that came with the connector.

Connector must be positioned toward outside of frame because it is used for attachment of tension strap used for tensioning fabric to frame.



Upright Tension Connector



Step 3 - Tensioning Fabric

When all of the uprights are raised, attach the snap of the tension straps to the d-rings on the fabric at each upright.

At corners, run strap on left side of corner thru the left d-ring and then thru the right d-ring. Run strap on right side thru left d-ring only.

Snap tension strap thru both rings at bottoms of straps.

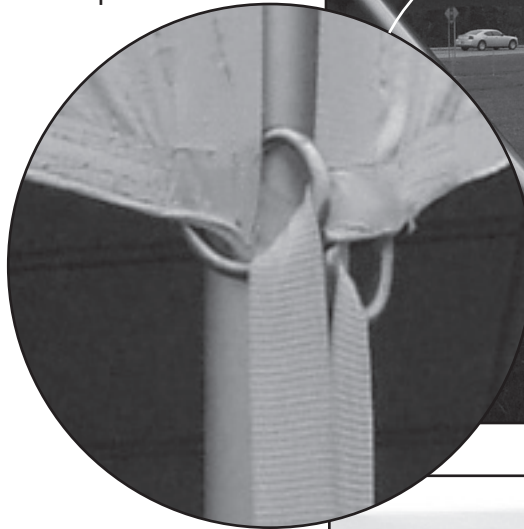
Insert the hook of the tension strap into the upright tension connector just above the base plate.

Starting with the corners, tighten the tension strap using the ratchet. Do not over-tension as this may create unsightly wrinkles or puckering in your tent fabric.

Watch peak during tensioning to be sure it stays vertical.

Note: When tensioning tents with tension points at valley, tension those points last.

Continue as noted in the standard Fiesta instructions.





PHONE NUMBER

812 · 867 · 2421

FAX NUMBER

812 · 867 · 0547

Anchor products are of superior design and operate best within the parameters of these instructions. It is imperative that the instructions be carefully read and **COMPLETELY FOLLOWED**. Please read installation instructions before the installation or removal of this product. Installation instructions are available online at www.anchorinc.com or by calling 1-800-544-4445.

CAUTION:

1. For each installation, the installer is solely responsible for evaluating the site and the proper securing method determined. Some soils require different staking or securing than that provided with the tent. Due to this variety of soil conditions, these are the manufacturer's suggested sequence of installation procedures. Anchor's responsibility is limited to the manufacture of the tent parts and materials. We are not responsible for methods that installers may choose to erect and secure the tent to the ground.
2. The number of stakes suggested in the installation instructions do not necessarily meet all or any relevant codes on the site of the tent installation. The number of stakes suggested **will, in many cases, keep the tent erected**, however, due to various soil conditions; these stakes will be insufficient **to keep the tent secure in high winds**. It is the tent installer's responsibility, not the manufacturer, to determine the appropriate number of stakes to meet the necessary wind loads on the site. Regardless of the number of stakes we suggest, we make no representation or warranty as to whether this specific number of stakes will meet the local tent code. Anchor does not, nor can it make any suggestions, representation, or warranties about the adequate staking required at each specific installation site. Staking information provided in the installation instructions **is not a suggestion about what is necessary to meet a site-specific load**.

For additional important information, consult: "The IFAI Procedural Handbook For the Safe Installation and Maintenance of Tentage" and the IFAI Pocket Guide "Pullout Capacity of Tent Stakes", both available from the IFAI Tent Rental Division or on our website.

3. Inasmuch as the weather is unpredictable, good judgment and common sense must be incorporated within installation guidelines. It is the responsibility of the tent installer/maintainer to determine the severity of the weather, proper time and method of installation and/or erection and disassembly. **Note: We recommend that snow and ice be removed from the tent surface as soon as possible because accumulation will damage the tent or fabric structure. Please consult with our Engineering Department about the maximum loads for each product.**

This product has been manufactured for use as a temporary structure. For the safety of all occupants, evacuation is recommended if threatening weather occurs, or if there is any doubt concerning the safe use of this product.

4. Proper safety equipment should be used at all times to insure a safe installation and take down. We suggest a careful evaluation be made to determine safety equipment needed, such as hard hats, steel-toe shoes, safety glasses and other as required. It is our desire that all installations are safe. Please be aware of hidden dangers both underground, i.e., gas lines, water lines, electrical lines, etc. and above the tent such as power lines and telephone lines.
5. Anchor stands behind its products in accordance with its standard Terms and Conditions of sale. A copy of our Terms and Conditions of Sale can be obtained by contacting Anchor at the telephone number and/or address on this document.