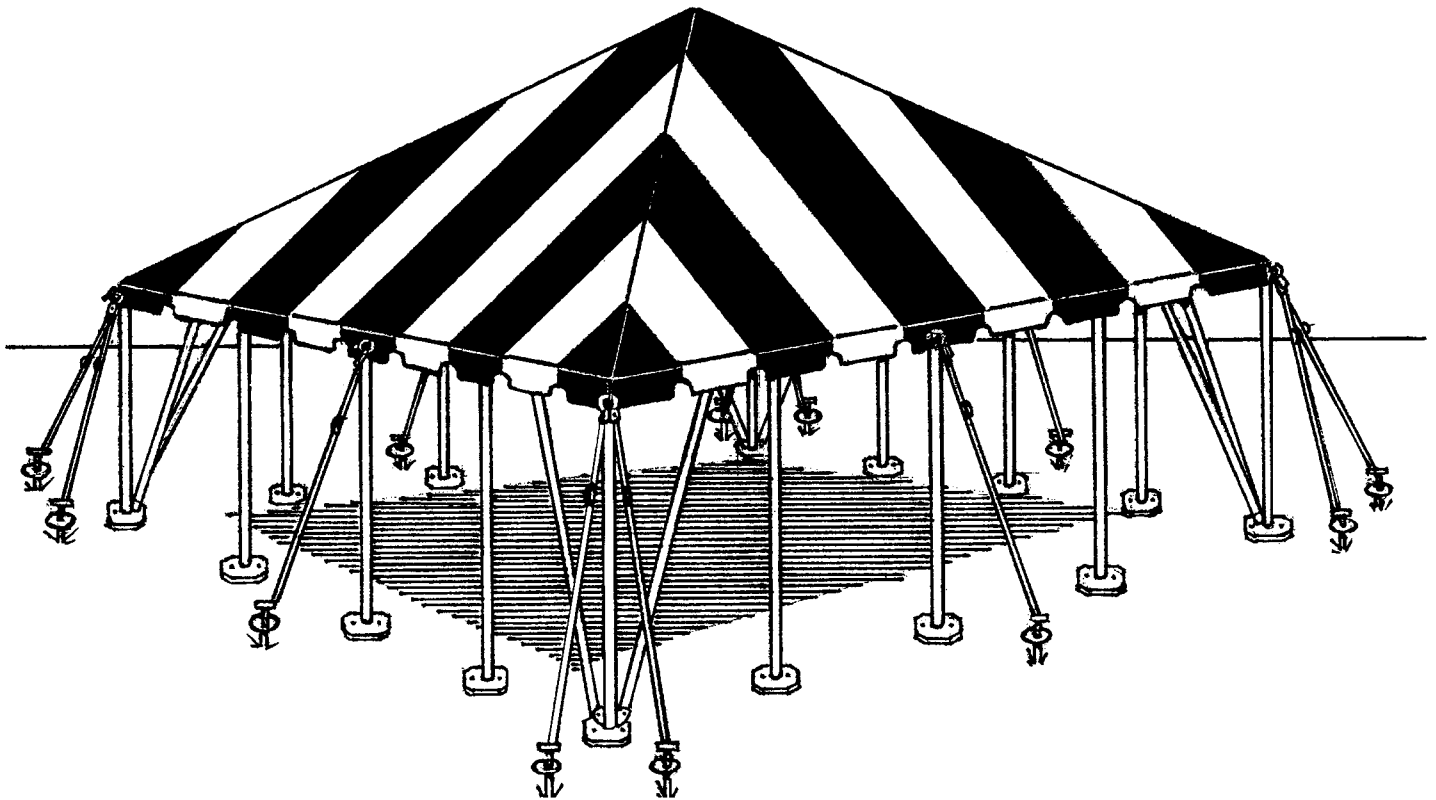


Assembly Instructions



Fiesta
Systems

Fiesta® Plus II

30' AND 40' Wide Systems

With Expandable Kits



SALES OFFICES:
1100 BURCH DR.
P.O. BOX 3477
EVANSVILLE, IN 47733 USA

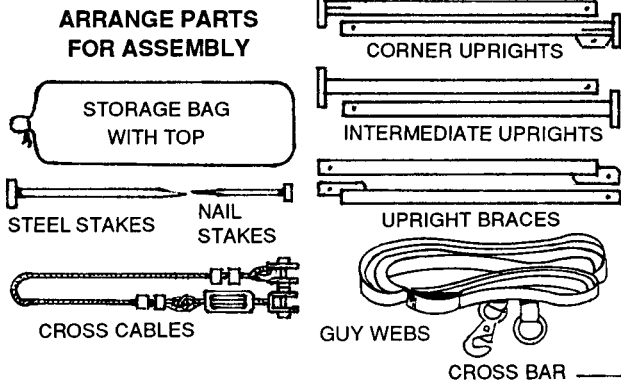
PHONE 812-867-2421
FAX 812-867-0547
1-800-544-4445

PRODUCTION FACILITIES:
BRADENTON, FL
EVANSVILLE, IN

Quality, Craftsmanship and Service since 1892

FPII-0205
Copyright © Anchor Industries

30'/40' WIDE FRAME - 40' ILLUSTRATED

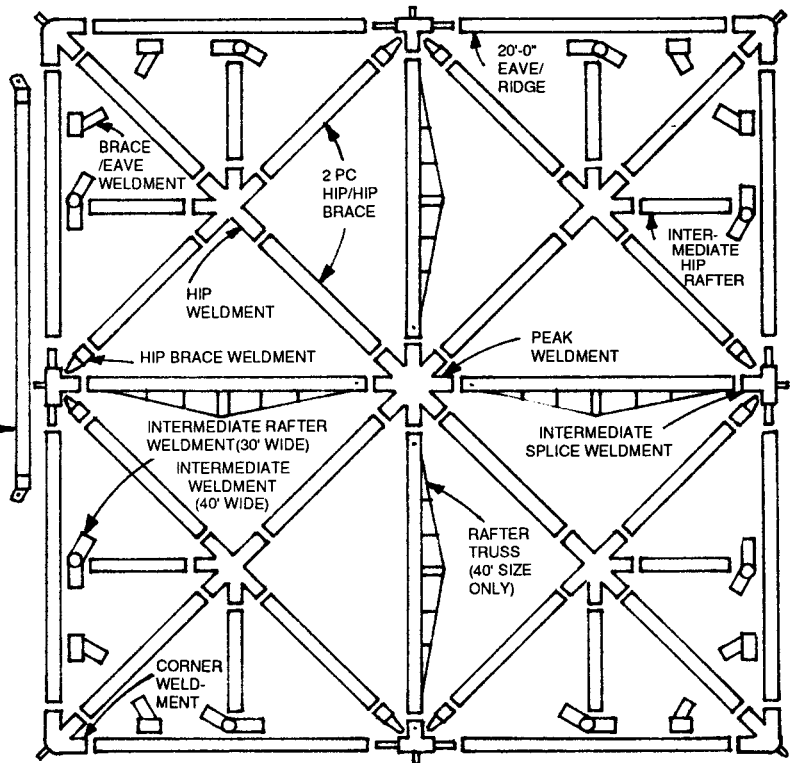


INSPECT SITE

CAUTION: Consult local Utility Co. before installation. Prior to assembly be sure to look around area for obstacles, pipes, wires, etc.

LAYOUT AND CHECK

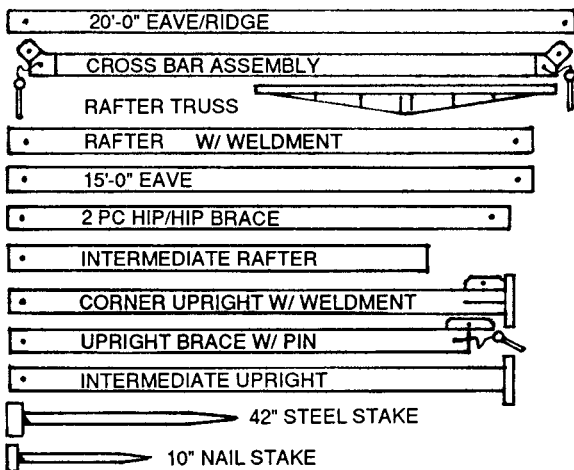
Utilize parts list for a quick I.D. and check list to ensure that you have all the parts.



ASSEMBLE ADJUSTABLE UPRIGHTS

Adjust insert to desired height. Align holes and bolt to secure.

- BRACE/EAVE WELDMENT W/(2) PINS
- HIP BRACE WELDMENT W/(2) PINS
- CORNER WELDMENT W/(4) PINS
- HIP WELDMENT W/(6) PINS
- INTERMEDIATE RAFTER WELDMENT W/(2) PINS
- PEAK WELDMENT W/(8) PINS
- INTERMEDIATE SPLICE WELDMENT W/(4) PINS
- INTERMEDIATE WELDMENT W/(3) PINS



30' x 30' FRAME PARTS LIST		40' X 40' FRAME PARTS LIST	
CHECKED	REQUIRED	CHECKED	REQUIRED
_____	8	_____	8
_____	8	_____	8
_____	4	_____	4
_____	4	_____	4
_____	8	_____	-
_____	1	_____	1
_____	4	_____	4
_____	-	_____	8
_____	-	_____	8
_____	1	_____	1
_____	-	_____	4
_____	4	_____	-
_____	8	_____	-
_____	16	_____	16
_____	8	_____	8
_____	4	_____	4
_____	8	_____	8
_____	4	_____	12
_____	12	_____	12
_____	16	_____	32
_____	2	_____	2
_____	2	_____	2
_____	1	_____	1
_____	12	_____	12

BRACE/EAVE WELDMENT	HIP BRACE WELDMENT
CORNER WELDMENT	HIP WELDMENT
INTERMEDIATE RAFTER WELDMENT	PEAK WELDMENT
INTERMEDIATE SPLICE WELDMENT	INTERMEDIATE WELDMENT

MANPOWER REQUIRED

Three experienced installers should be able to assemble a Fiesta Plus II in less than 3 hours.

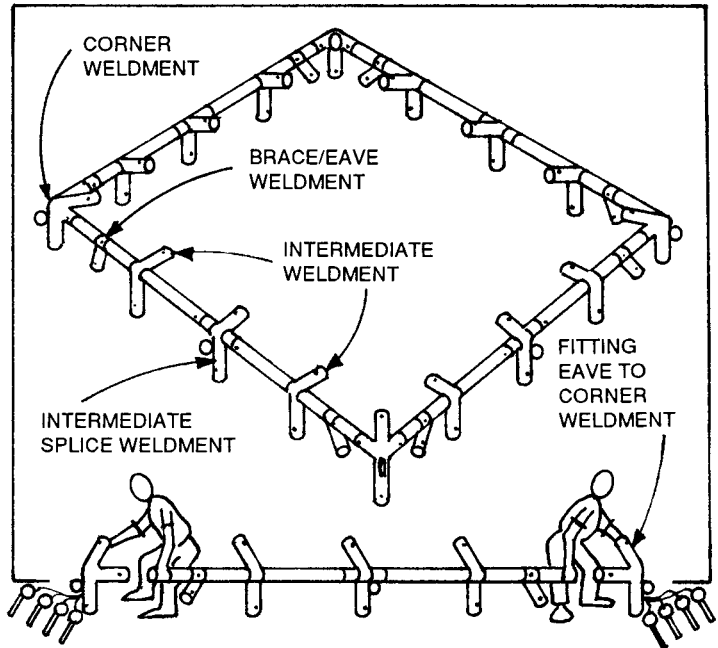
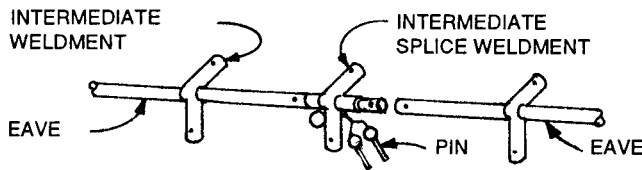
TOOLS REQUIRED

- 3/4" Wrench
- Sledge hammer
- 2 Frame Lifts
- Step Ladder (6'-0" Min.)

1

EAVE ASSEMBLY*

Place Intermediate Weldment at center of each Eave bar. Secure with pin trapping weldment between rivet and pin. Attach two eaves to Intermediate Splice Weldments and pin. Attach Brace/Eave Weldment to ends of Eave and pin. Join four Eave assemblies with Corner Weldments and pin.



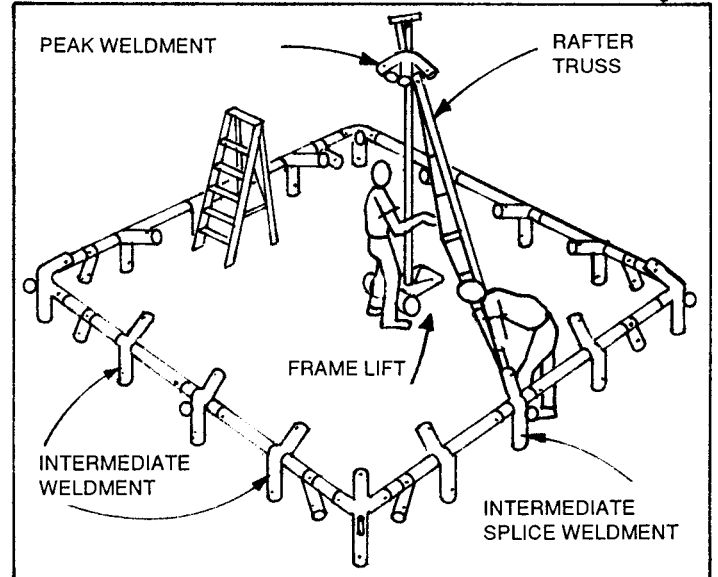
2

RAFTERS AND PEAK*

Position Frame Lift near center of frame. Attach Frame Lift Hook to top of Rafter Truss. (Top has holes 5 1/2" from end.) Raise Rafter to approximately 3'-0". Attach Peak Weldment and pin. Continue to raise Rafter to 10'-0". Stabilize frame lift base until all four rafters are in position. Insert Rafter into Intermediate Weldment and pin.

Using ladder, repeat for third and fourth rafters. Adjust Frame Lift if needed.

Note: 30' Frame has single tube Rafter with Cross Bar Weldment towards bottom. See Illustration on page 4.



3

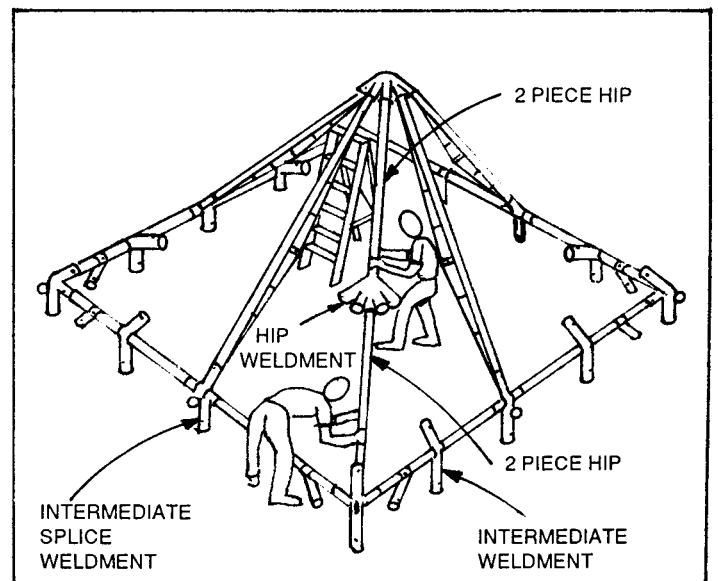
HIPS AND BRACES*

Insert half of 2 piece Hip into Peak Weldment and the other half into Corner Weldment. Pin to secure at peak only. Attach Hip Weldment to both halves and pin. Then pin at corner. Attach Hip Brace Weldment to Hip brace and pin. Connect Hip Brace to Hip Weldment with pin, and then connect other end (with Weldment) to Intermediate Splice Weldment. Pin to secure. Push up at Hip Weldment to ease fitting.

Attach Intermediate Rafter to Hip Weldment and then to Intermediate Weldment pin to secure.

Repeat for other Hips

* For middle frame parts and instructions, see pages 5 & 6.



4

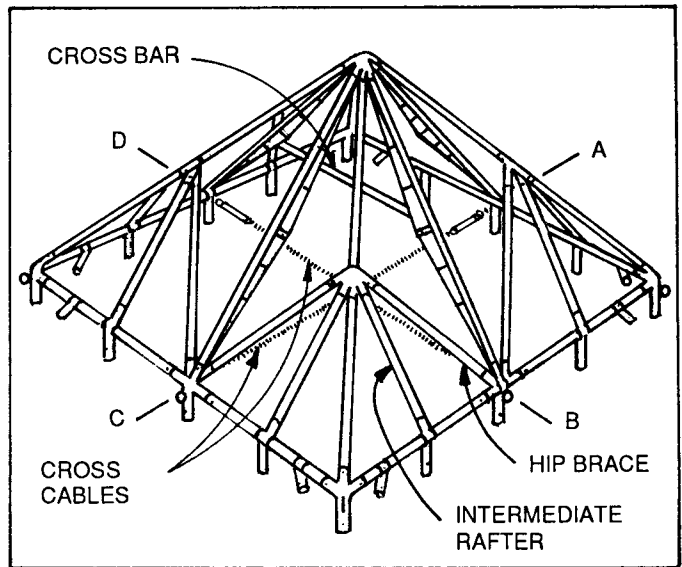
CROSS CABLES & CROSS BAR*

Attach each end of cross cable to the larger hole in plates on intermediate splice weldments at "A" and "C". Tighten turnbuckle until cable is taut. Do not over tighten. Repeat at "B" and "D". Attach cross bar to holes in center plates of opposite rafter trusses. Pin to secure.

Note: 30' frame rafters have a weldment towards bottom for cross bar.

CAUTION:

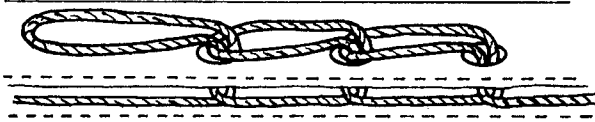
Cables "must" be in position during assembly and take down procedures. See illustrations on page 4.



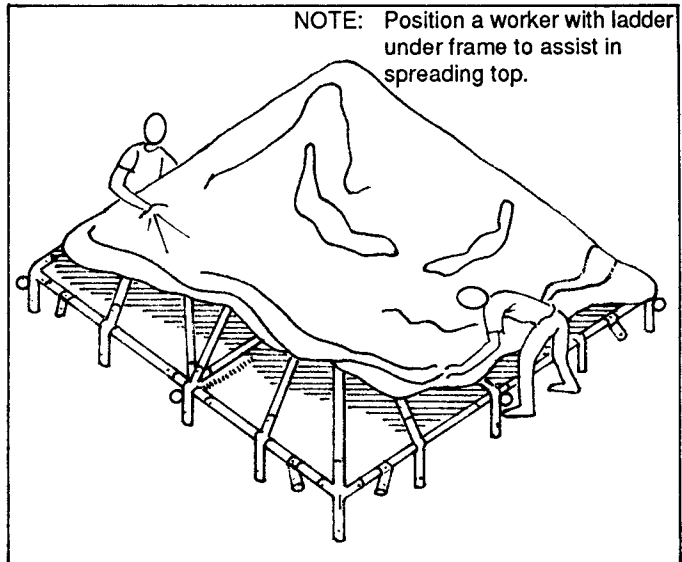
5

PUT ON TOP

Spread drop cloths. Lay out two piece top with lace edges together and top side up. Matching centerlines, push first loop up through corresponding grommet. Continue lacing process and cover lacing with protective flap and snap to rings. Tie off last long lacing loop. Repeat steps on opposite side starting with second loop from ridge. Place top over frame. Fasten a Fiesta® buckle at each side of corners and at center of each side (more if required) to keep top from blowing off.



NOTE: Position a worker with ladder under frame to assist in spreading top.



6

LIFT ONE SIDE*

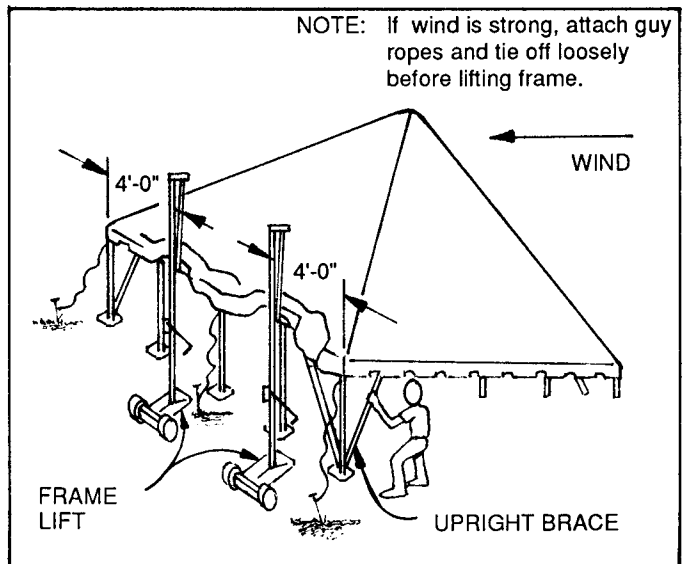
Read frame lift instructions carefully. Position two lifts as shown and attach hooks to eave. Crank both lifts at the same time. Stop when uprights will fit into weldments. Align holes in uprights and weldments. Secure with pin.

CAUTION:

Upright braces at both corners "must" be in position before lifting other side.

* For 20" extension parts and instructions, see pages 5 & 6.

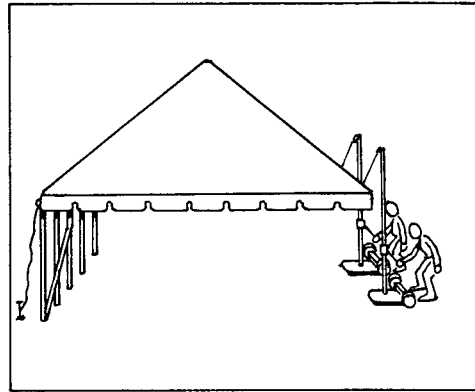
NOTE: If wind is strong, attach guy ropes and tie off loosely before lifting frame.



7

LIFT OTHER SIDE

Raise opposite side by repeating step 6. Attach remaining uprights and braces.

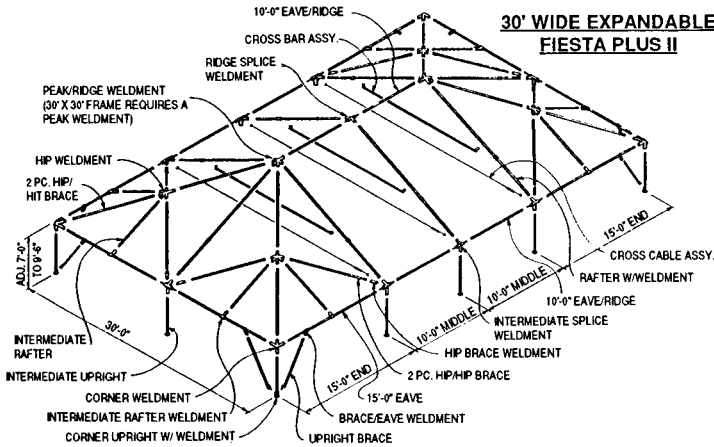
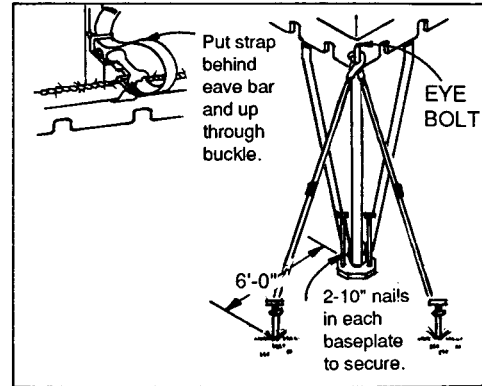


8

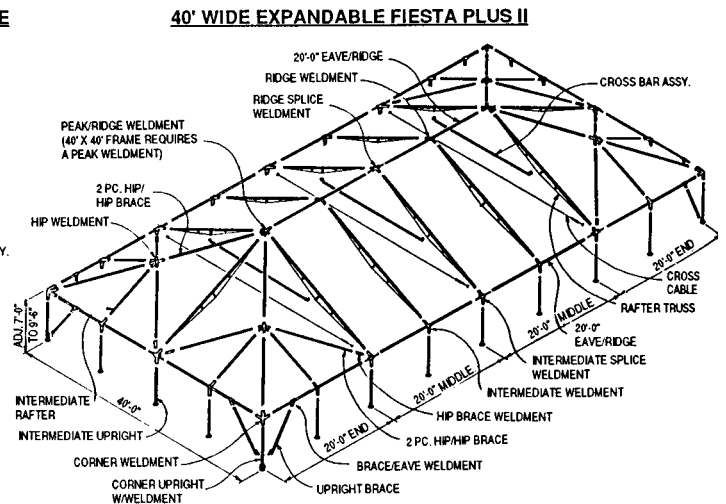
SECURE TOP TO FRAME & STAKE

At corners, pull Hip tabs down over Eye. Snap Guy Webs to weldments. Drive stakes through rings at ends of Guy Webs 6' out from uprights (two stakes 90° apart at corners). Position all uprights vertically and drive Nail Stakes through holes in Base Plates. Adjust fabric top as needed and fasten all Fiesta® straps and buckles. Strap Velcro tabs around upper tube of each rafter truss.

IMPORTANT: GUY ROPES MUST BE IN PLACE AT ALL TIMES.



30' WIDE EXPANDABLE FIESTA PLUS II



40' WIDE EXPANDABLE FIESTA PLUS II

9

TAKE DOWN

1. Attach Cross Cables (See step #4.)
2. Loosen all Guy Webs.
3. Remove Intermediate Uprights on three sides. Leave installed on side to be taken down last.
4. Starting on one side, remove all braces.

CAUTION:

Do not remove braces from opposite side until first side is lowered to ground.

5. Remove two Corner Uprights and lower one side to ground.
6. Reverse steps 1-through 6 for disassembly.

IMPORTANT

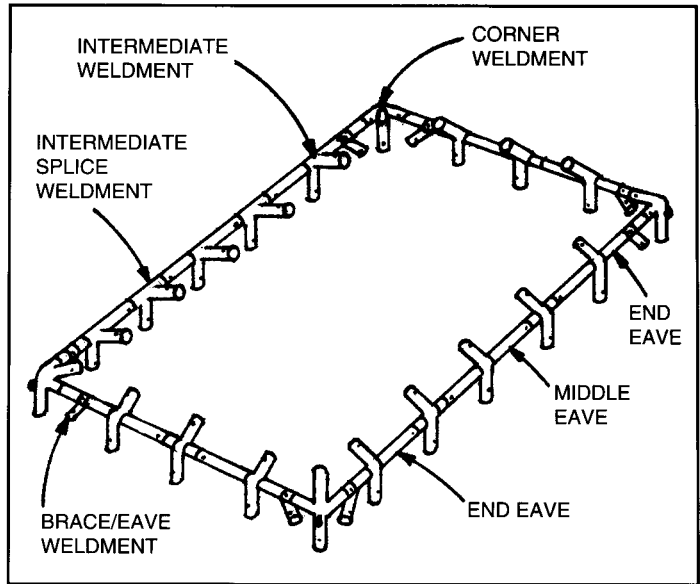
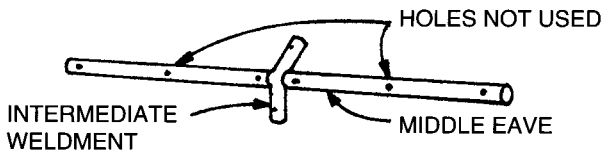
Check Guy Webs periodically for tightness and maintaining good condition. Stakes provided are for average soil conditions and may not be adequate. Sandy soil or asphalt may require additional staking. Proper installation suitable to site conditions and weather is the responsibility of the installer. Store tent in a cool, dry area. Never store while wet or damp.

**SUPPLEMENTAL INSTRUCTIONS
FOR ASSEMBLING FRAMES WITH
ONE OR MORE MIDDLES**

1a

EAVE ASSEMBLY

For 40' wide frames, slide intermediate weldment onto center of Middle Eave. Pin to secure, trapping weldment between rivet and pin. (30' wide frame has no weldment at middle eave) Follow step 1 adding Middle Eaves to frame by splicing between end Eaves with Intermediate Splice Weldment.

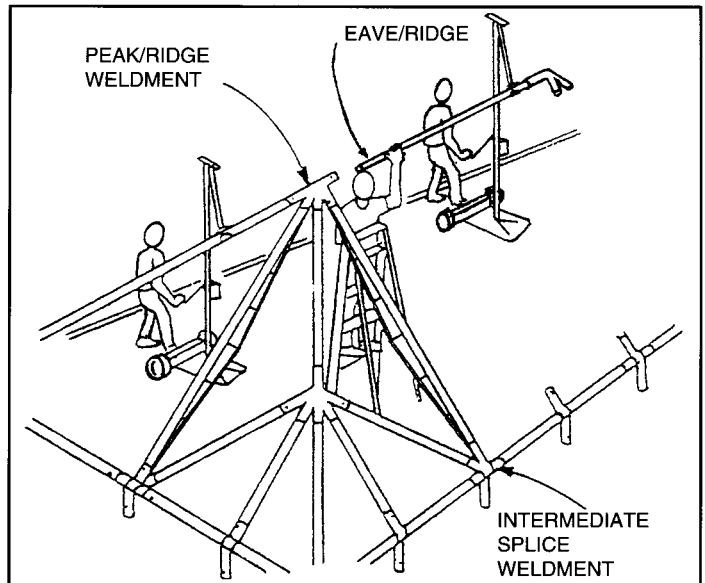


2a

& 3a

RIDGE AND RAFTERS

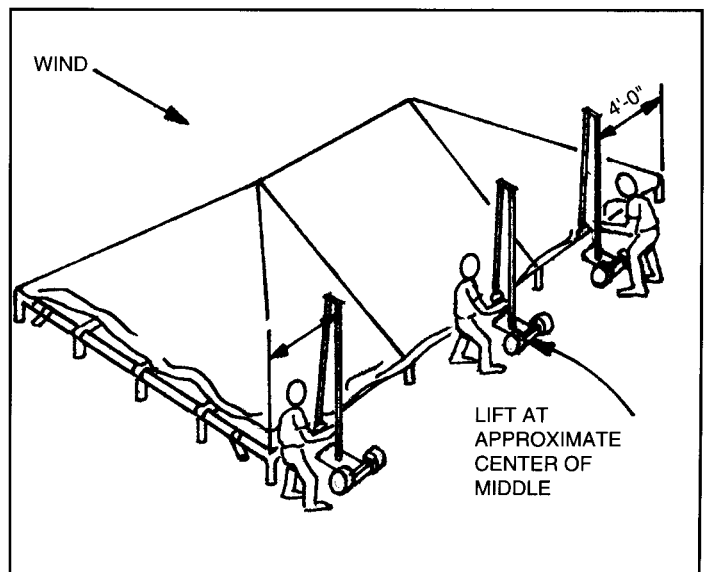
Using Peak/Ridge Weldments instead of Peak Weldment, follow steps 2 and 3 so all Hips and Rafters are in place at one end. For a 40' wide frame, place Ridge Weldment at center of a 20'-0" Eave/Ridge. Secure with pin, trapping weldment between rivet and pin. (30' wide frame has no weldment at center of 10' Eave/Ridge tube.) When more than one middle is used, connect Ridge tubes with Ridge Splice Weldment. Attach Peak/Ridge Weldment to end of ridge. Raise Ridge at Peak/Ridge Weldment with Frame Lift. Attach remaining Rafters and Hips. Attach Cross Bars between opposite Rafters and Cross Cables to intermediate Splice Weldments. See illustration on page 4.



6a

LIFT ONE SIDE

Position Lifts as shown (one for each Middle) Repeat step 6.





Thank you for purchasing an Anchor product. In return, we pledge Quality, Service and Craftsmanship and are available for any questions you may have or assistance you may need.

PHONE NUMBER

812-867-2421

FAX NUMBER

812-867-0547

Anchor products are of superior design and operate best within the parameters of these instructions. It is **IMPERATIVE** that the instructions be carefully read and **COMPLETELY FOLLOWED**. Please read installation instructions before the installation or removal of this product. Installation instructions are available at www.anchorinc.com.

CAUTION

1. For each installation, the installer is solely responsible for evaluating the site and the proper securing method determined. Some soils require different staking or securing than that provided with the tent. Due to this variety of soil conditions, these are the manufacturer's suggested sequence of installation procedures. Anchor's responsibility is limited to the construction of the tent. We are not responsible for methods that installers may choose to secure the tent to the ground.
2. Inasmuch as the weather is unpredictable, good judgment and common sense must be incorporated within installation guidelines. It is the responsibility of the tent installer/maintainer to determine the severity of the weather, proper time and method of installation and/or erection and disassembly.

This product has been manufactured for use as a temporary structure. For the safety of all occupants, evacuation is recommended if threatening weather occurs, or if there is any doubt concerning the safe use of this product.

3. Proper safety equipment should be used at all times to insure a safe installation and take down. We suggest a careful evaluation be made to determine safety equipment needed, such as hard hats, steel-toe shoes, safety glasses and other as required.
4. Anchor stands behind its products in accordance with its standard Terms and Conditions of sale. A copy of our Terms and Conditions of Sale can be obtained by contacting Anchor at the telephone number and/or address on this document.